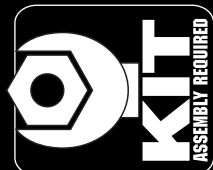


RC12 FR6 FACTORY TEAM



1:12 Scale Electric 2WD On Road Competition Race Car Kit Manual & Catalog

#4021 RC12R6 Factory Team Kit



CHAMPIONS *by* DESIGN
TeamAssociated.com



:: Introduction

Thank you for purchasing this Team Associated product. This assembly manual contains instructions and tips for building and maintaining your new RC12R6 Kit. Please take a moment to read through this manual to help familiarize yourself with these steps. We are continually changing and improving our designs; therefore, actual parts may appear slightly different than in the illustrations. New parts will be noted on supplementary sheets located in the appropriate parts bags. Check each bag for these sheets before you start to build.

:: KIT Features

- 2.0mm 7075-T6 hard anodized aluminum chassis & lower pod plate
- Narrow profile for extra ground clearance in chassis roll
- Center Fox shock with genuine Kashima Coating
- Battery stop allows 3 different transverse battery positions to fine tune mass balance
- Raised front bumper plate allows extra ground clearance on front of chassis
- New center pivot design for optimized rear pod assembly
- Ultra-low center of gravity
- Graphite front control arms
- Geometry based from IFMAR World Championship winning 12R5 dynamic strut assembly
- Updated rear axle and differential assembly
- Floating servo mounts to chassis in symmetric positions to maintain equal flex of chassis
- Hard coated, polished, front king pin style suspension for smooth operation

:: Additional

Your new RC12R6 comes unassembled and requires the following items for completion. (refer to catalog section for suggestions):

- 1:12 scale electric motor
- 3.7V-7.4V LiPo, or 6.0V LiFe with "shorty" battery dimensions
- 2-channel surface transmitter
- 1:12 scale wheels / tires
- Polycarbonate specific spray paint for body
- Electronic speed control
- Battery charger
- 2-channel receiver
- Steering servo
- 1:12 scale polycarbonate body

:: Other Helpful Items

- Silicone Shock Fluid (Refer to catalog for complete listings)
- Silicone Diff Fluid (Refer to catalog for complete listings)
- FT Hex Wrenches / Nut Drivers (AE Part #1505, 1518, 1519)
- FT Turnbuckle Wrench (AE Part #1114)
- Needle nose pliers
- Soldering iron
- Body scissors (AE Part #1737)
- Reamer/Hole Punch
- FT TC Ride Height Gauge (AE Part #1452)
- Hobby knife
- Wire cutters
- Calipers or a precision ruler






Associated Electrics, Inc.
26021 Commercentre Dr.
Lake Forest, CA 92630




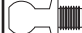






Customer Service
Tel: 949.544.7500
Fax: 949.544.7501

:: Hardware - 1:1 Scale View









Button Head (bhcs)

-  **2x4mm (31510)**
FT 2x4mm Aluminum (8545)
-  **2.5x6mm (31520)**
-  **3x6mm (31531)**
FT 3x6mm Aluminum (8550)
FT 3x6mm Titanium (91580)
-  **3x8mm (31532)**
FT 3x8mm Aluminum (8552)
FT 3x8mm Titanium (91581)
-  **3x10mm (25211)**
FT 3x10mm Aluminum (8554)
FT 3x10mm Titanium (91582)








Ballstuds

-  **Black 3.25mm Short (31390)**
FT TiN 3.25mm Short (31374)
-  **Silver 3.25mm Long (31391)**
FT TiN 3.25mm Long (31375)
-  **Black 5mm Short (31280)**
FT TiN 5mm Short (31288)
-  **Silver 5mm Long (31283)**
FT TiN 5mm Long (31291)
-  **Black 8mm Short (31281)**
FT TiN 8mm Short (31289)
-  **Silver 8mm Long (31284)**
FT TiN 8mm Long (31292)
-  **Black 10mm Short (31282)**
FT TiN 10mm Short (31290)
-  **Silver 10mm Long (31285)**
FT TiN 10mm Long (31293)






Nuts (lock/plain)

-  **M3 Nut, Black (91477)**
-  **M3 Locknut, Blue (31550)**
M3 Locknut, Black (25215)
-  **M3 Locknut w/Flange, Black (25612)**
-  **3mm Flanged Locknut, Blue Alum.(25392)**
-  **M4 Locknut, Black (89216)**
-  **M4 Flanged Locknut, Knurled, Black (91148)**
-  **M4 Flanged Locknut, Blue Alum. (31551)**
-  **M4 Flanged Nut, Knurled, Black (91738)**

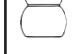


Flat Head (fhcs)

-  **2x6mm (4674)**
FT 2x6mm Aluminum (8547)
-  **2.5x6mm (4675)**
FT 2.5x6mm Aluminum (8549)
-  **3x5mm (31540)**
-  **3x6mm (31541)**
FT 3x6mm Aluminum (8551)
-  **3x8mm (25201)**
FT 3x8mm Aluminum (8553)
FT 3x8mm Titanium (91592)
-  **3x10mm (25202)**
FT 3x10mm Aluminum (8555)
FT 3x10mm Titanium (91593)
-  **4x14mm (89217)**
FT 4x14mm Aluminum (8571)

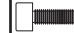
Ball Bearings

-  **FT Bearing (8680)**
5 x 8 x 2.5mm
-  **Bearing (91560)**
5 x 10 x 4mm
-  **FT Bearing, Flanged (8681)**
.250 x .375 x .125"
-  **FT Bearing (8682)**
.250x.375x.125"
-  **FT Bearing (8685)**
.125 x .313 x .141"

Pivot Balls

-  **FT Pivot Ball (4637)**
-  **Suspension Arm Pivot Ball Upper (4755)**
-  **Suspension Arm Pivot Ball Lower (4755)**













Socket Head (shcs)

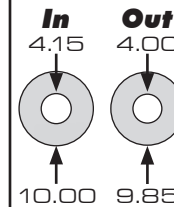
-  **2x6mm (7186)**
-  **2.5x8mm (89222)**
-  **2.5x12mm (8691)**

Setscrew

-  **3x3mm (25225)**
-  **3x8mm (4670)**
-  **3x10mm (4671)**

Shims and Washers

-  **.030 Washer (9630)**
-  **Kingpin Shim (8425)**
-  **Blue Aluminum Ballstud Washer 5.5x0.5mm (31381)**
-  **Blue Aluminum Ballstud Washer 5.5x1mm (31382)**
-  **Blue Aluminum Ballstud Washer 5.5x2mm (31383)**
-  **2.6x6mm Washer (21139)**
-  **Aluminum Bulkhead Washer 7.8x0.5mm (31384)**
-  **Aluminum Bulkhead Washer 7.8x1mm (31385)**
-  **Aluminum Bulkhead Washer 7.8x2mm (31386)**
-  **Rear Axle Shim .005" (4554)**
-  **Bellville Washer (4737)**
-  **FT Thrust Bearing (8683)**
4.15x10mm & 4x9.85mm



:: Table of Contents

1.....	Cover	9 - 10.....	Rear Axle Build (Bag 4.1, 4.2)
2.....	Introduction	10 - 13.....	Chassis & Electronics Build (Bag 5.1, 5.2)
3.....	1:1 Hardware "Fold Out"	14 - 19.....	Catalog
4.....	Table of Contents	20.....	Kit Setup Sheet
5 - 6.....	Shock, Damper Tubes & Turnbuckles Build (Bag 1.1, 1.2)	21.....	Blank Setup Sheet
6 - 7.....	Rear Pod Build (Bag 2.1, 2.2)	22.....	Back Cover
8 - 9.....	Front Suspension Build (Bag 3.1)		

:: Notes

This symbol indicates a special note or instruction in the manual.



This symbol indicates a Racers Tip.



Scanning this QR code will take you to Team Associated's 12R6 web page. Here you can find information that will help you with your build and setup!



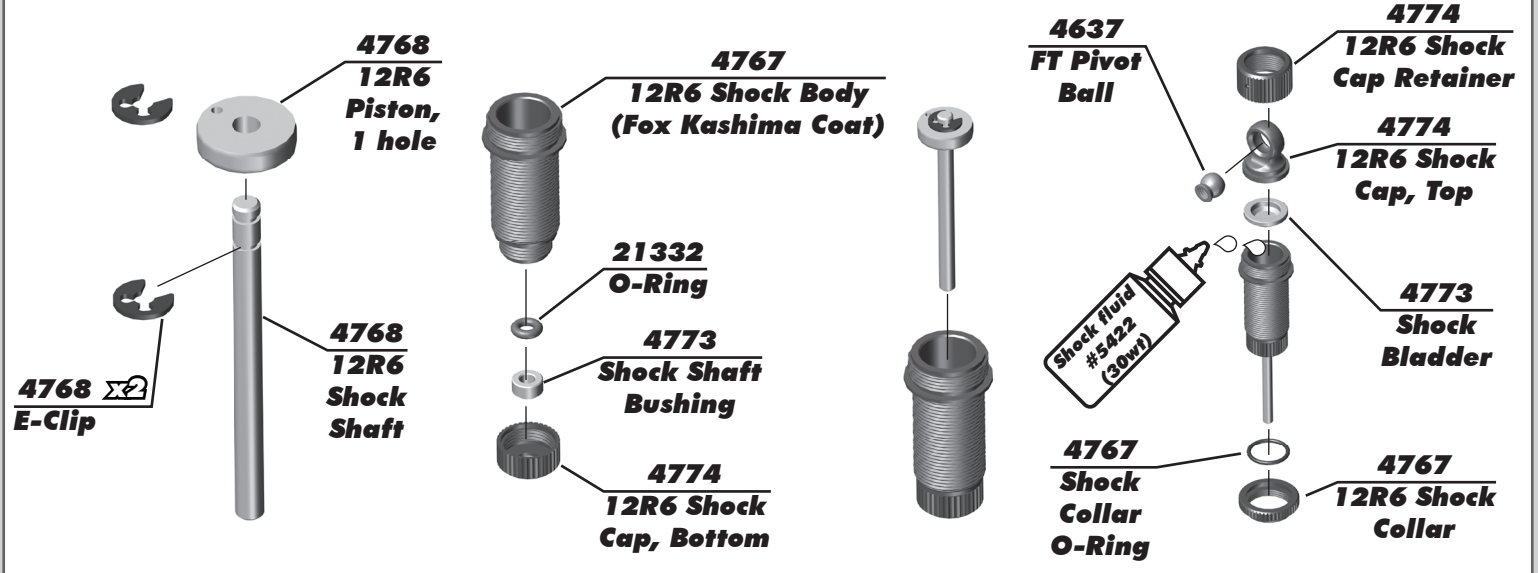
There is a 1:1 hardware foldout page in the front of the manual. To check the size of a part, line up your hardware with the correct drawing until you find the exact size. Each part in the foldout has a number assigned to it for ordering replacement parts.

**Associated Electrics, Inc.
26021 Commercentre Dr.
Lake Forest, CA 92630**

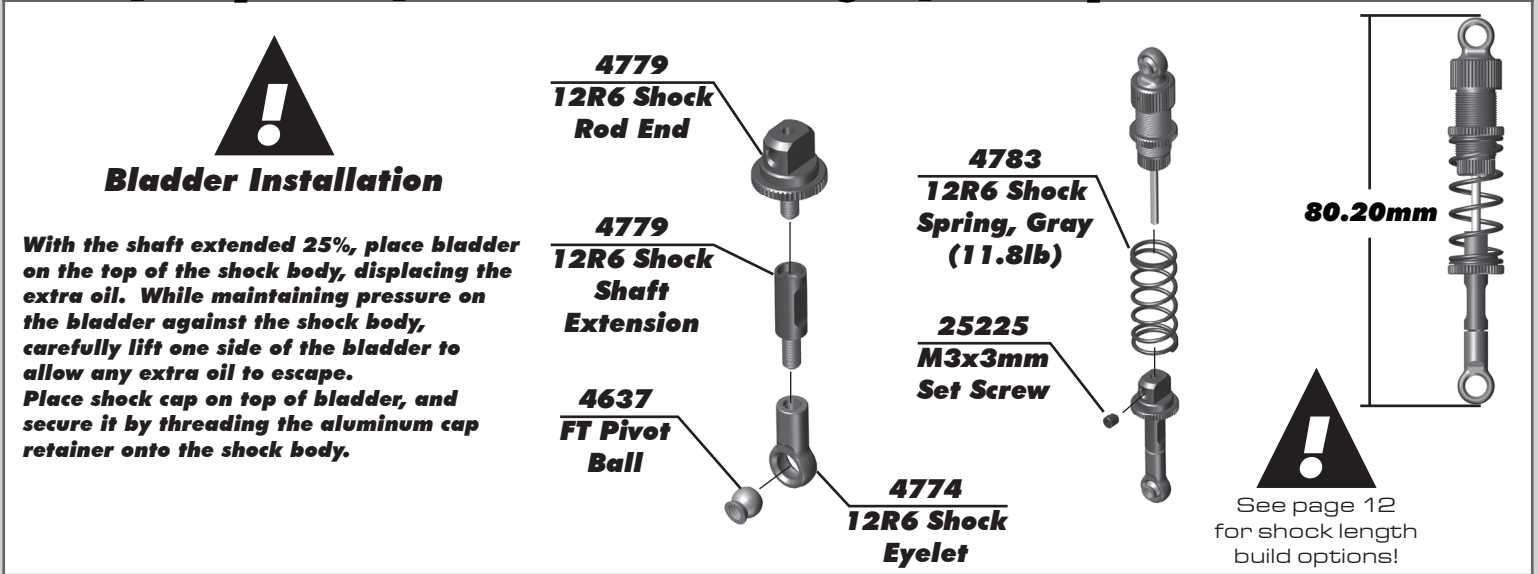


**Customer Service
Tel: 949.544.7500
Fax: 949.544.7501**

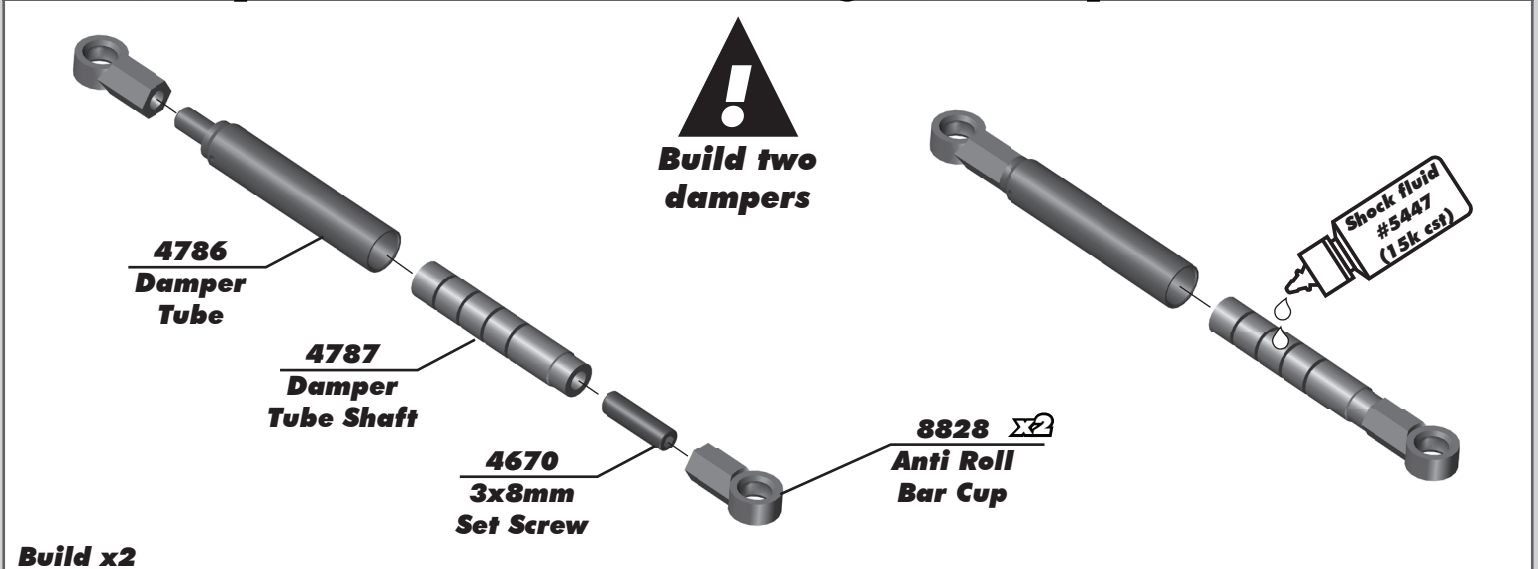
:: Shock, Damper Tubes, & Turnbuckles Build - Bag 1.1, 1.2 - Step 1



:: Shock, Damper Tubes, & Turnbuckles Build - Bag 1.1, 1.2 - Step 2

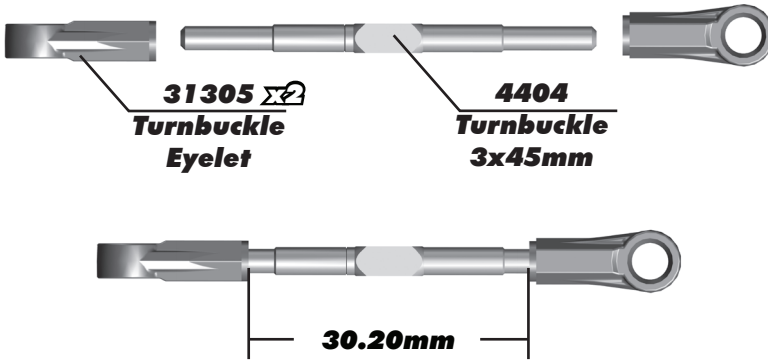


:: Shock, Damper Tubes, & Turnbuckles Build - Bag 1.1, 1.2 - Step 3



:: Shock, Damper Tubes, & Turnbuckles Build - Bag 1.1, 1.2 - Step 4

Steering Turnbuckle



Racers Tip:

Use black grease (#6588) on the threads of the turnbuckles for easier ball cup installation!

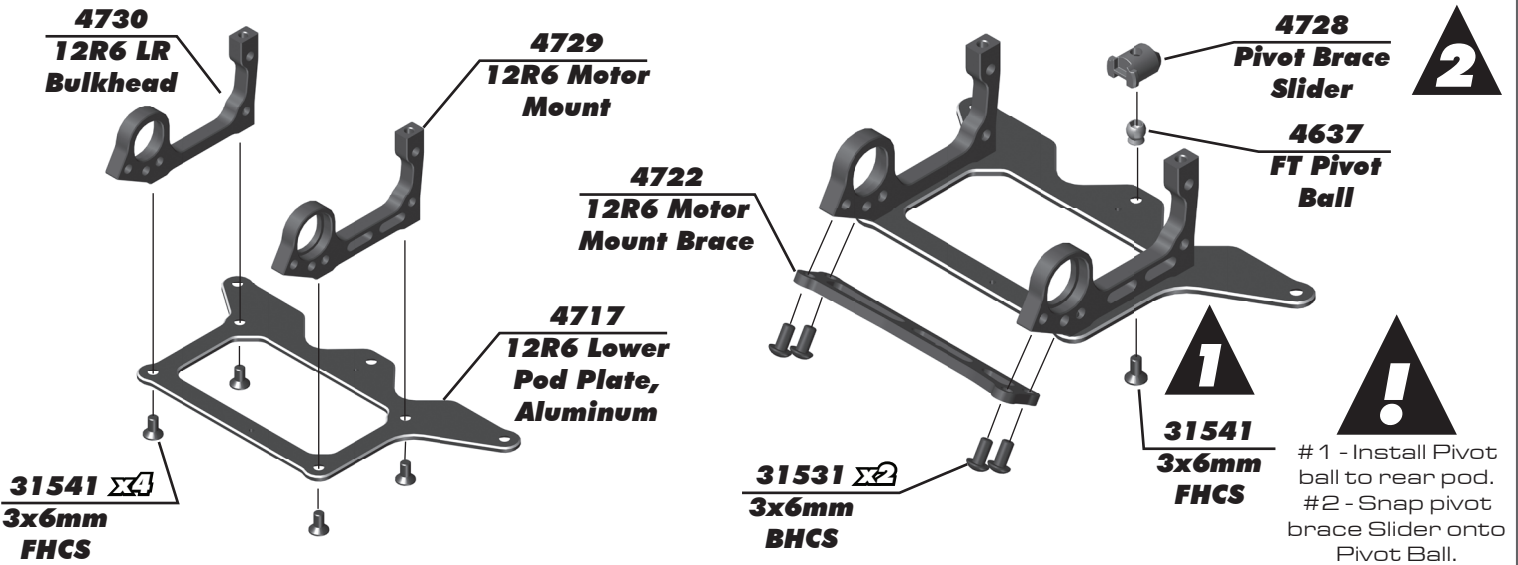


Orient the line to the left throughout the car. It indicates which end has the left hand threads!



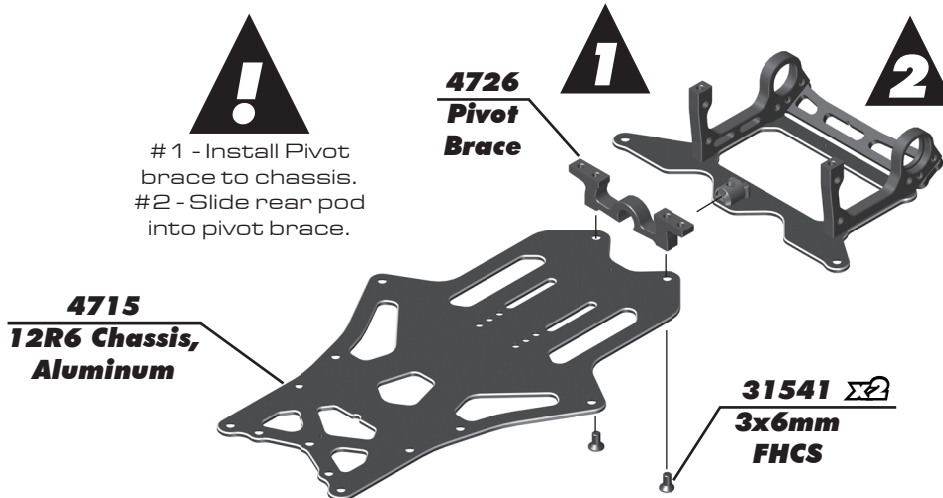
Build x2 (right and left side)

:: Rear Pod Build - Bag 2.1, 2.2 - Step 1



1 - Install Pivot ball to rear pod.
#2 - Snap pivot brace slider onto Pivot Ball.

:: Rear Pod Build - Bag 2.1, 2.2 - Step 2



1 - Install Pivot brace to chassis.
#2 - Slide rear pod into pivot brace.

:: Rear Pod Build - Bag 2.1, 2.2 - Step 3

7186 $\Sigma 2$
2x6mm SHCS

4728
Rear Pod Link

Use #7186 SHCS to adjust for free ball movement.

4637 $\Sigma 2$
FT Pivot Ball

31541 $\Sigma 2$
3x6mm FHCS

Build x2

Build right and left sides

:: Rear Pod Build - Bag 2.1, 2.2 - Step 4

31383
Aluminum Ballstud Washer, 5.5x2mm

31284
Ballstud Long, 8mm (Silver)

4670
3x8mm Set Screw

4721
12R6 Chassis Brace, Right Side

4707
Side Spring Retainer

4792
Side Spring, 4.7lb/in - White

31550
FT Aluminum M3 Locknut, Blue

31541 $\Sigma 2$
3x6mm FHCS

Build right and left sides

:: Rear Pod Build - Bag 2.1, 2.2 - Step 5

91477
M3 Nut, Black

31550 $\Sigma 2$
FT Aluminum M3 Locknut, Blue

4718
12R6 Upper Pod Plate

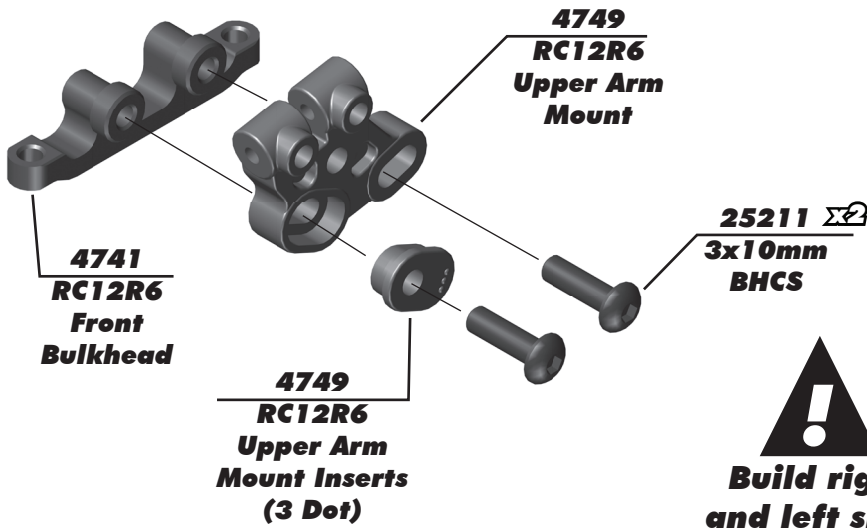
31532
3x8mm BHCS

31283 $\Sigma 2$
Ballstud Long, 5mm (Silver)

31531 $\Sigma 2$
3x6mm BHCS

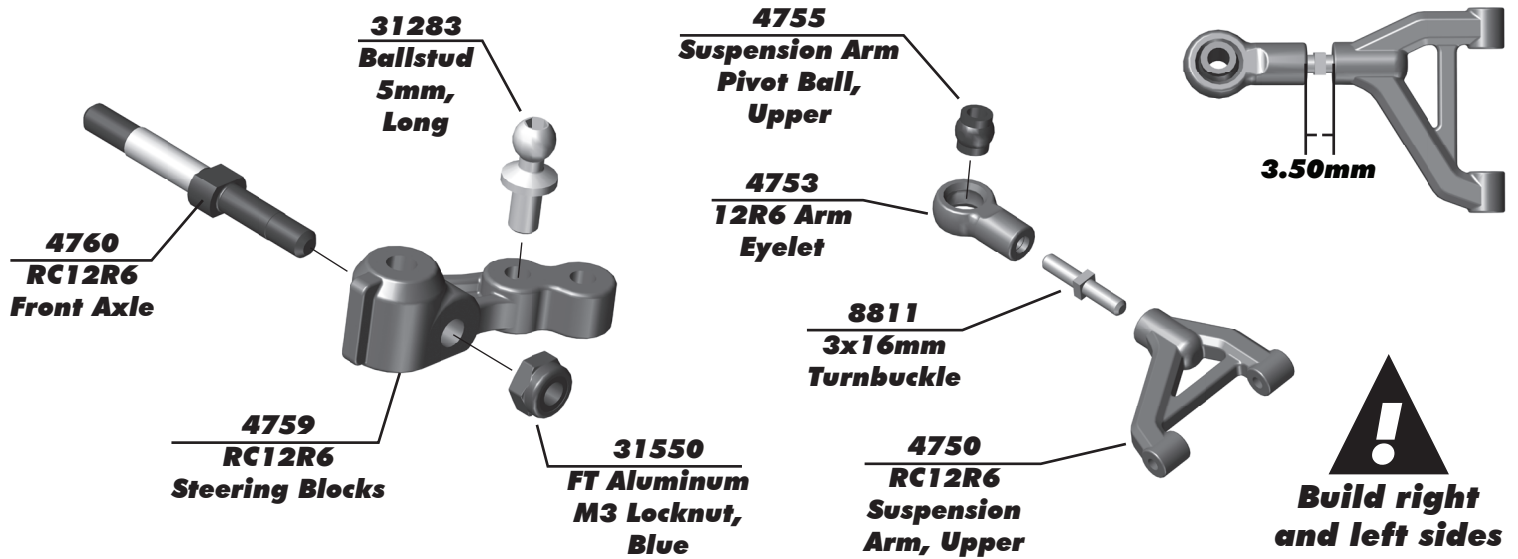
Build right and left sides

:: Front Suspension Build - Bag 3.1 - Step 1

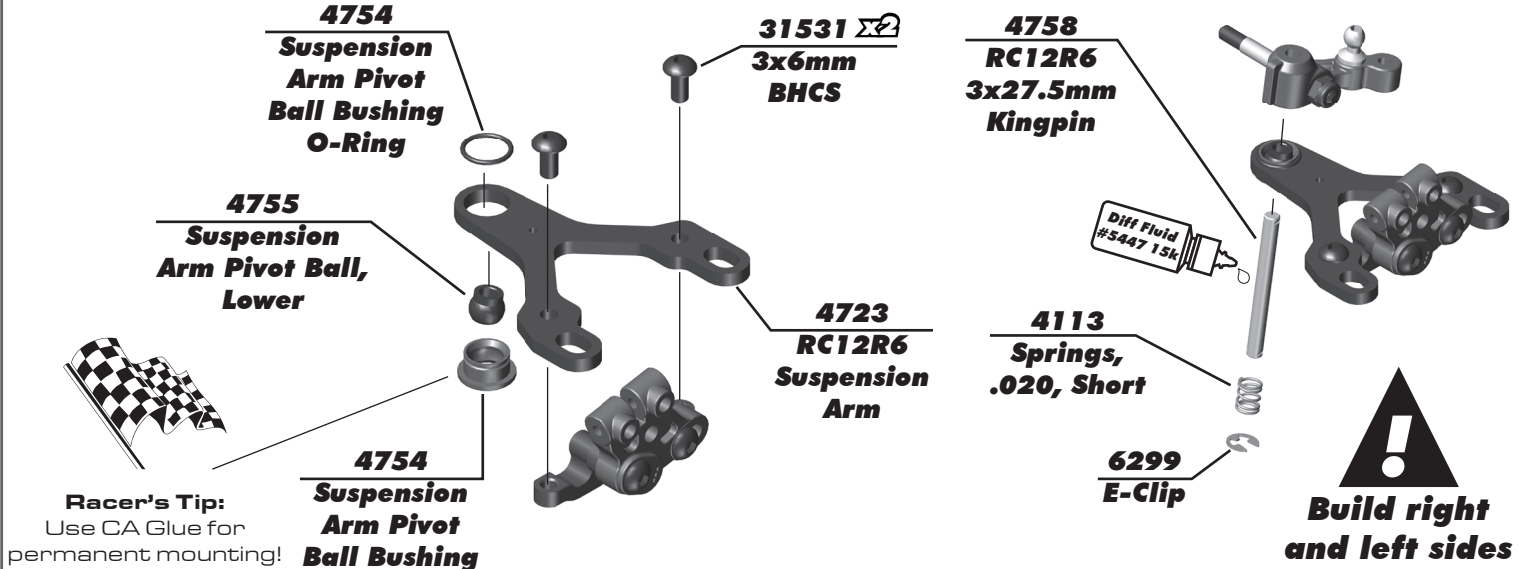


Dynamic Strut:	
	- 0°
	- 2.5°
	- 5°
	- 7.5°
	- 10° (KIT)

:: Front Suspension Build - Bag 3.1 - Step 2



:: Front Suspension Build - Bag 3.1 - Step 3



:: Front Suspension Build - Bag 3.1 - Step 4

6299 E-Clip

8425 X2 Kingpin Shims

4752 12R6 Hinge Pin

4753 X2 Caster Shim

4753 Caster Clips (2° & 4°)

25225 X2 3x3mm Set Screw

Build right and left sides

Use #4753 Caster Shims to fine tune caster by 1° Increments

Caster Adjustment:

		- 2° (0.55mm)
		- 4° (1.10mm)
		2°
		4°
		6°
		8° (KIT)

:: Front Suspension Build - Bag 3.1 - Step 5

31531 X2 3x6mm BHCS

4740 X2 12R6 Suspension Arm Standoff

31384 X2 Aluminum Bulkhead Washer 0.5mm

31540 X2 3x5mm FHCS

4745 X2 12R6 Track Width Bushing

Track Width Bushings:

		-0mm (KIT)
		+0.5mm
		+1mm
		+1.5mm
		+2mm

:: Rear Axle Build - Bag 4.1, 4.2 - Step 1

Kit Setup:

4731 X2 Rear Axle Height Adjuster (0)

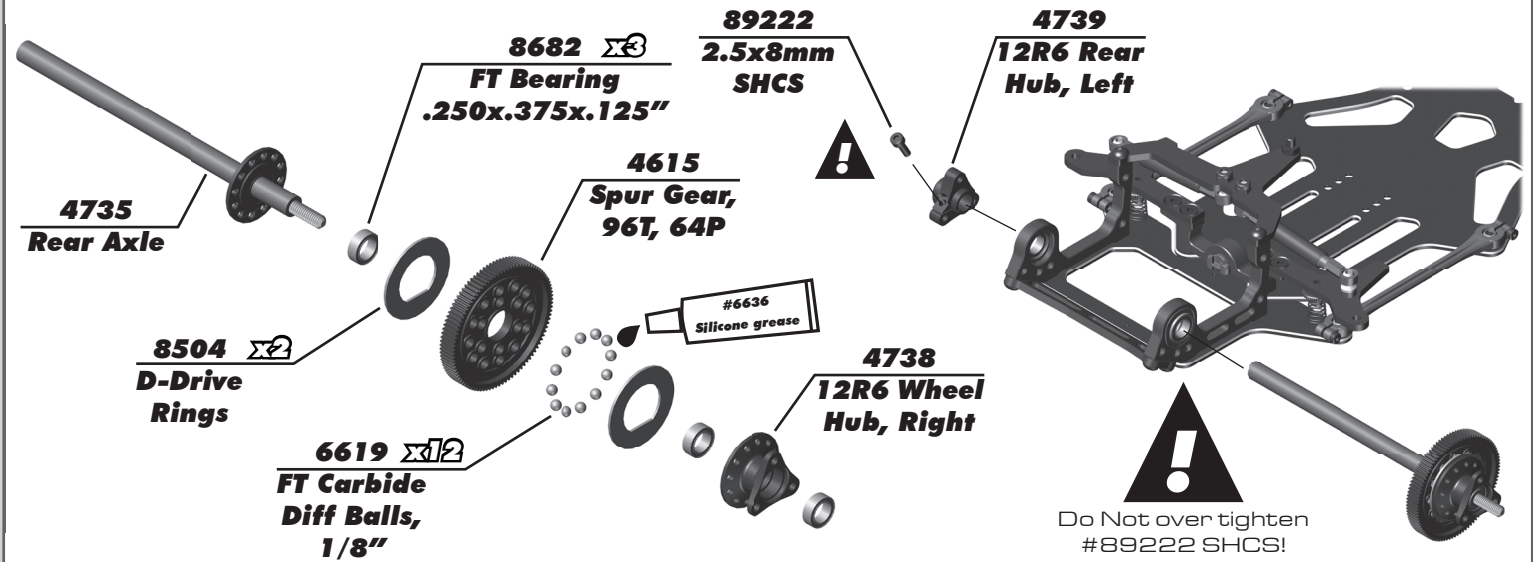
8681 X2 Flanged Bearing, .250x.375x.125"

Left Side

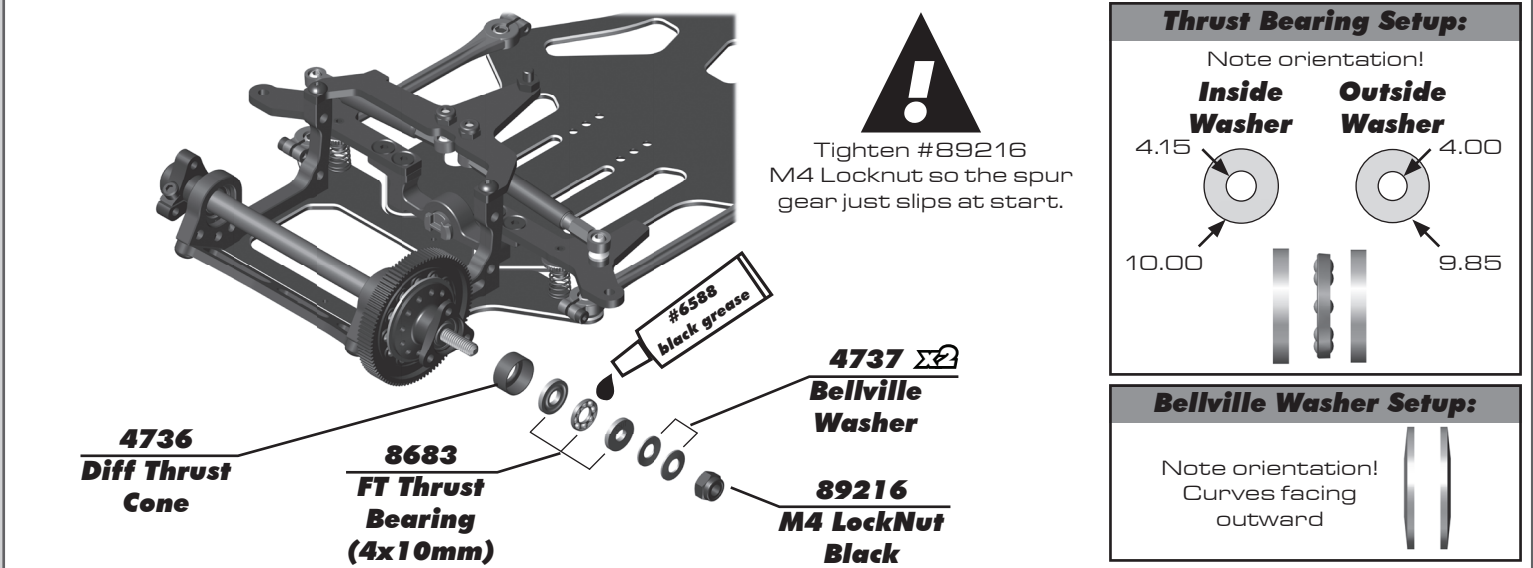
Right Side

Note the rear axle height adjusters orientation!

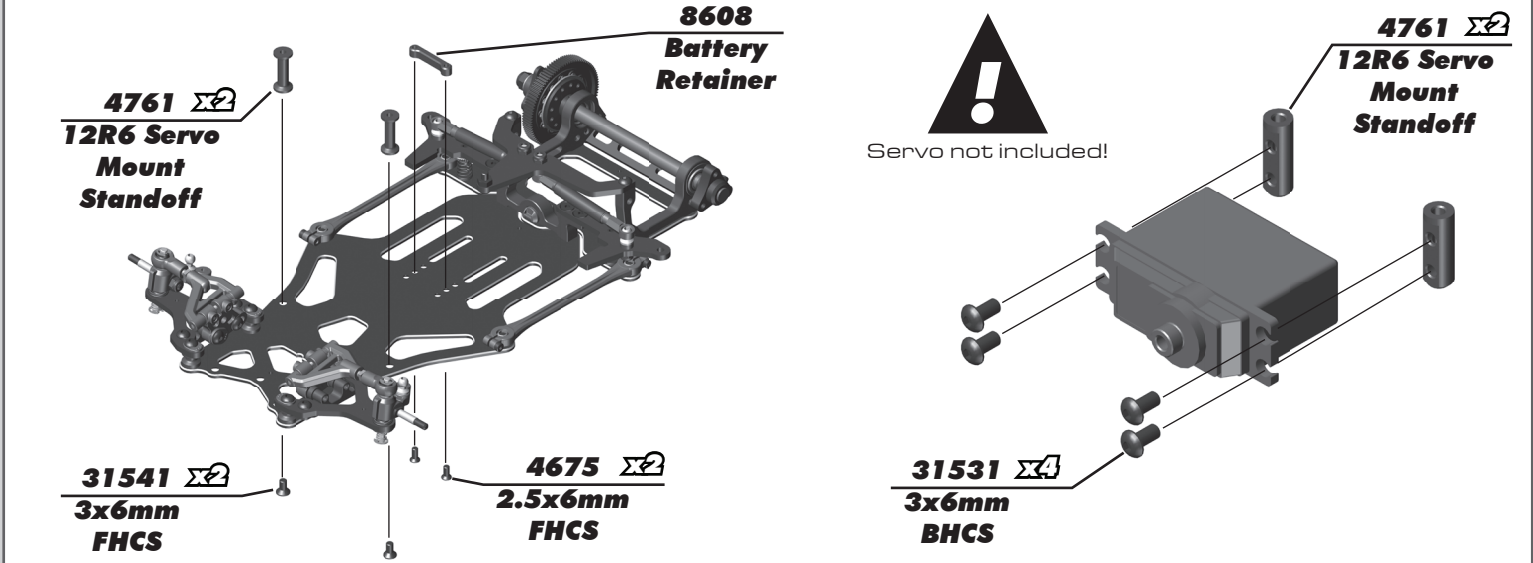
:: Rear Axle Build - Bag 4.1, 4.2 - Step 2



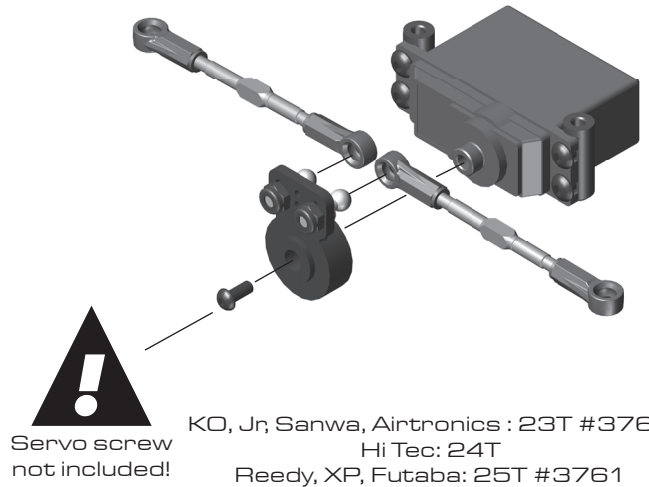
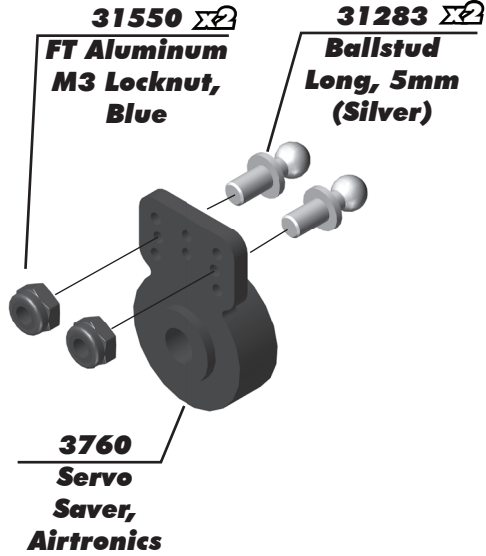
:: Rear Axle Build - Bag 4.1, 4.2 - Step 3



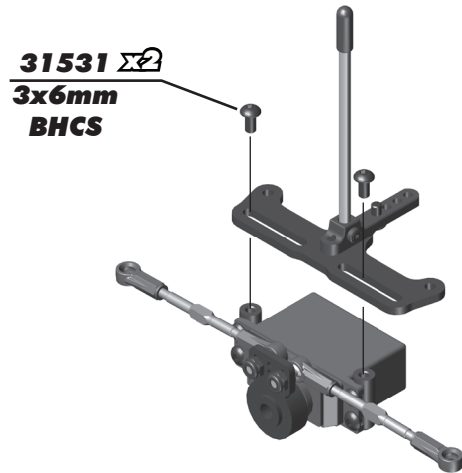
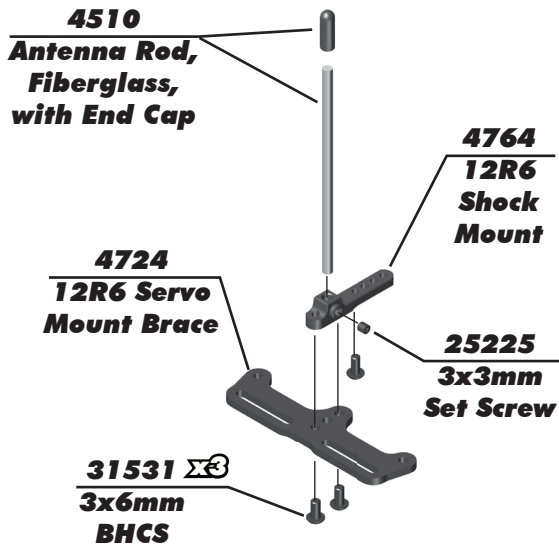
:: Chassis & Electronics Build - Bag 5.1, 5.2 - Step 1



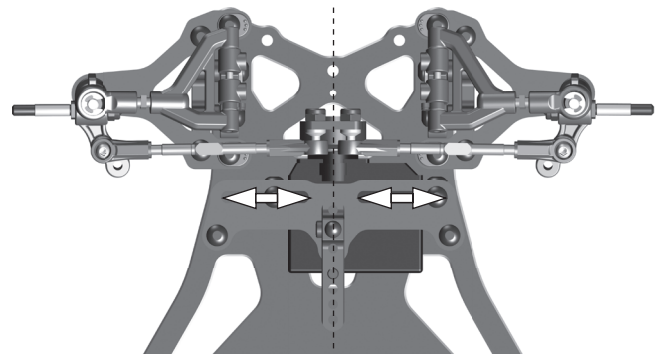
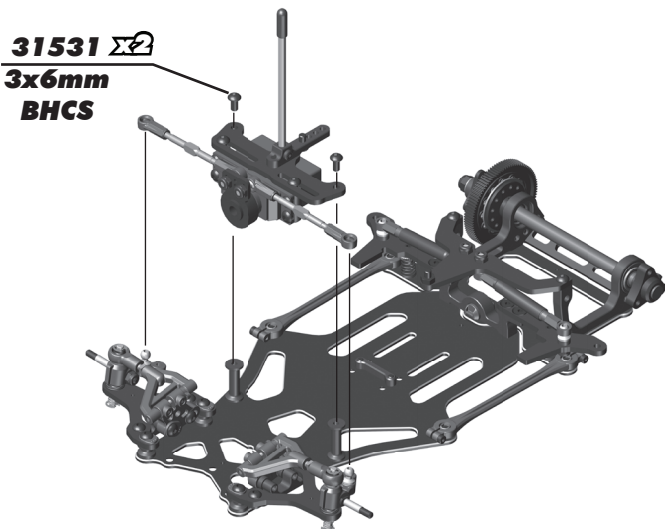
:: Chassis & Electronics Build - Bag 5.1, 5.2 - Step 2



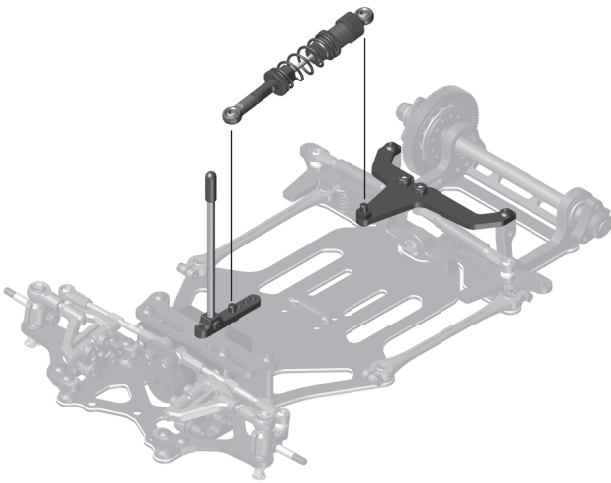
:: Chassis & Electronics Build - Bag 5.1, 5.2 - Step 3



:: Chassis & Electronics Build - Bag 5.1, 5.2 - Step 4



:: Chassis & Electronics Build - Bag 5.1, 5.2 - Step 5

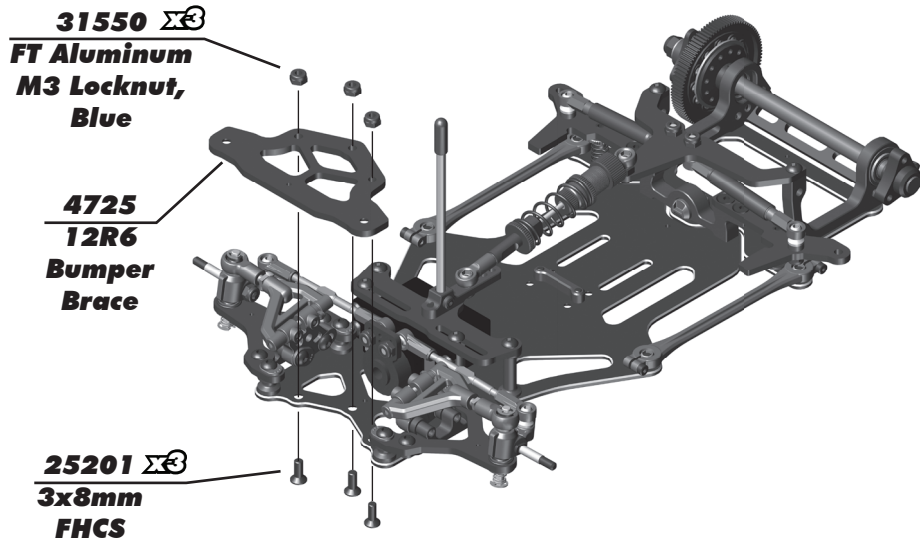


Shock Length Setup:

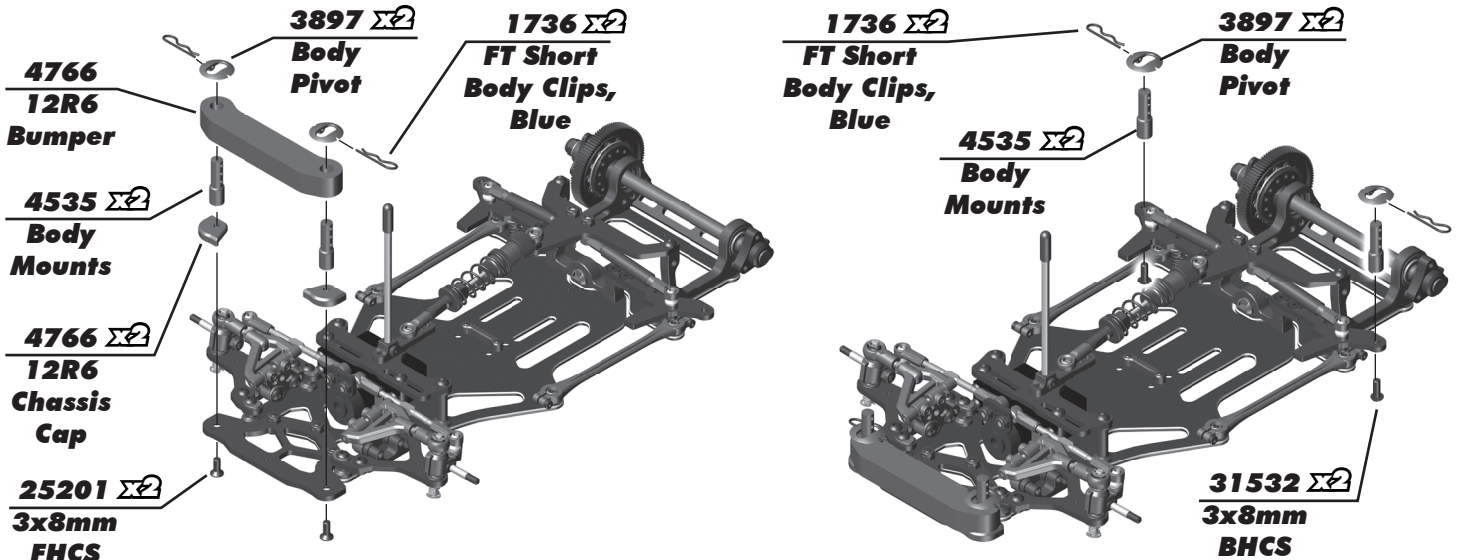
Kit Setup:

		Shock Shaft Extension - Yes / Shock Shaft Spacer - No
		Shock Shaft Extension - Yes / Shock Shaft Spacer - Yes
		Shock Shaft Extension - No / Shock Shaft Spacer - No
		Shock Shaft Extension - No / Shock Shaft Spacer - Yes

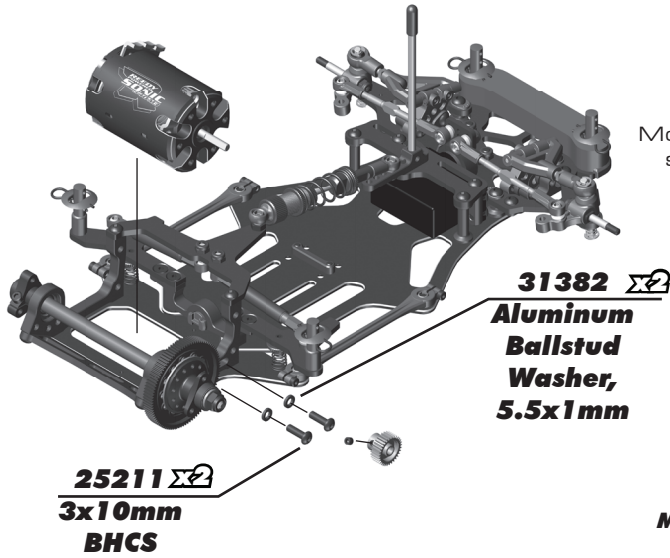
:: Chassis & Electronics Build - Bag 5.1, 5.2 - Step 6



:: Chassis & Electronics Build - Bag 5.1, 5.2 - Step 7



:: Chassis & Electronics Build - Bag 5.1, 5.2 - Step 8



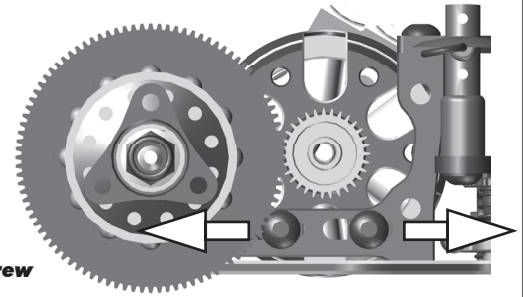
Motor and pinion/
set screw not
included!

Set The Gear Mesh:

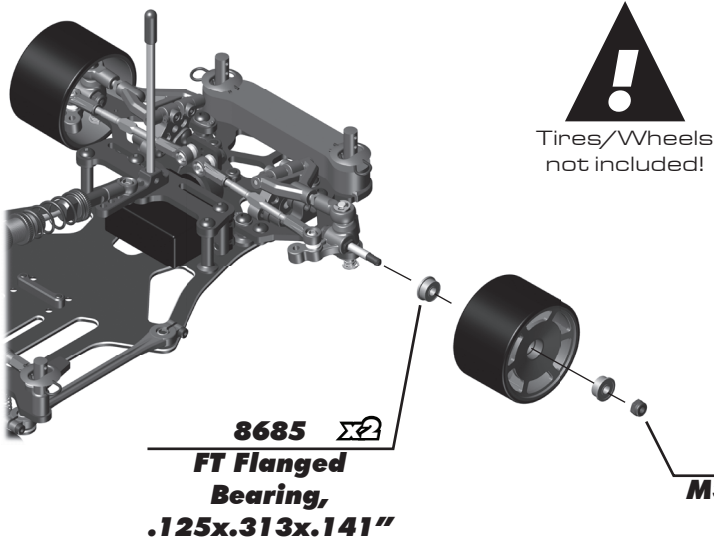
You should be able to slightly rock the spur gear teeth back and forth, without making the teeth of the pinion move. If the spur gear mesh is tight, then loosen the #25211 screws and move the motor away, then try again. A gear mesh that is too tight or too loose will reduce power and damage the gear teeth.



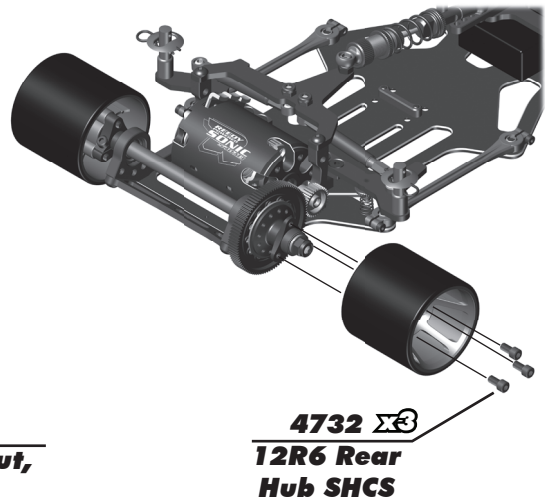
Gearing will depend on the
motor and track size.
Motor, pinion gear, and set screw
are not included!



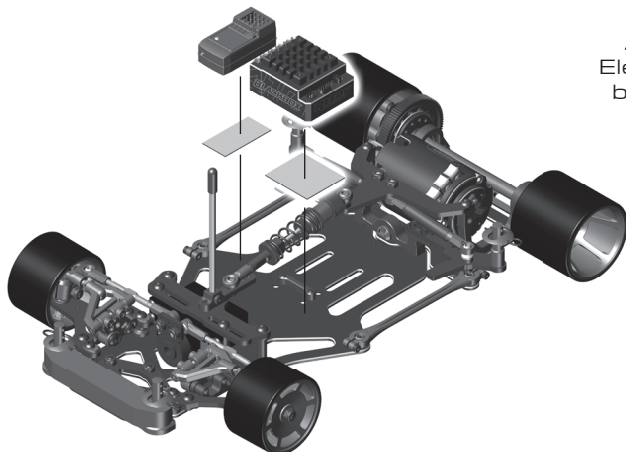
:: Chassis & Electronics Build - Bag 5.1, 5.2 - Step 9



Tires/Wheels
not included!



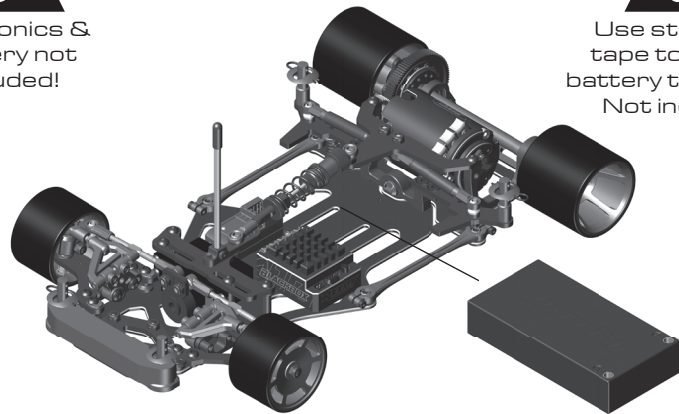
:: Chassis & Electronics Build - Bag 5.1, 5.2 - Step 10



Electronics &
battery not
included!



Use strapping
tape to secure
battery to chassis!
Not included!

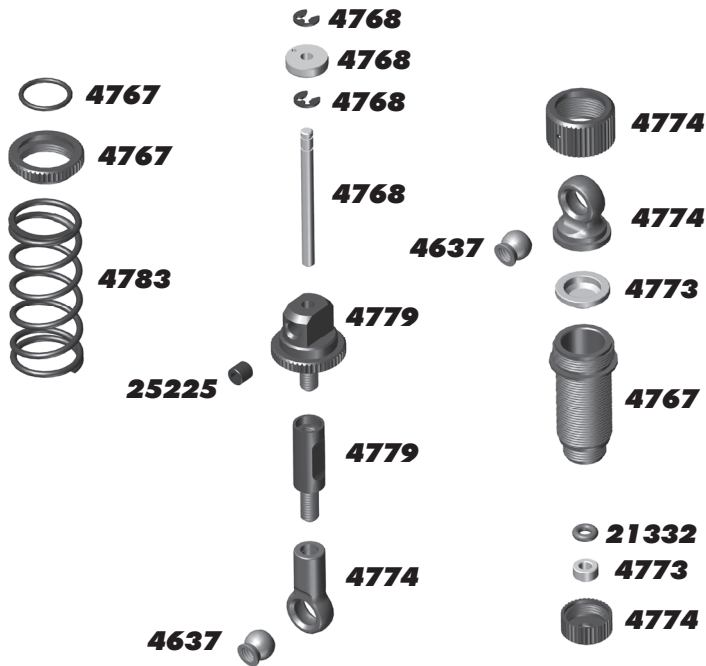


:: Shock

4637	FT Pivot Balls	8
4767	RC12R6 Shock Body, FT FOX(R) Shock Body w/Genuine Kashima Coat	1
4768	RC12R6 Shock Shaft Set	1
4773	RC12R6 Shock Rebuild Kit	1
4774	RC12R6 Shock Cap Set	1
4779	RC12R6 Shock Rod End	1 ea.
4780	RC12R6 Shock Kit	1
21332	FT Shock O-Rings	8
25225	3x3mm Set Screw	10

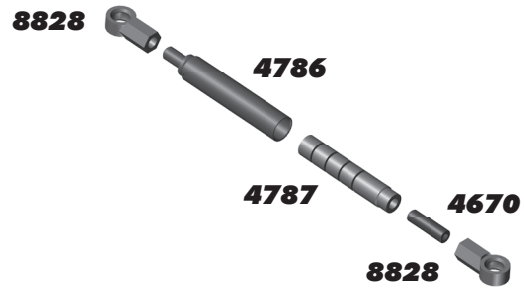
:: Springs

4781	RC12R6 Shock Spring Kit (white, gray, blue, yellow)	1
4782	RC12R6 Shock Spring, White (11.2lb/in)	1
4783	RC12R6 Shock Spring, Gray (11.8lb/in) - Kit	1
4784	RC12R6 Shock Spring, Blue (12.4lb/in)	1
4785	RC12R6 Shock Spring, Yellow (13.1lb/in)	1



:: Damper Tubes

4670	3x8mm Set Screws	10
4786	Damper Tube	1
4787	Damper Tube Shaft	2
8828	Anti-roll Bar Cups	2



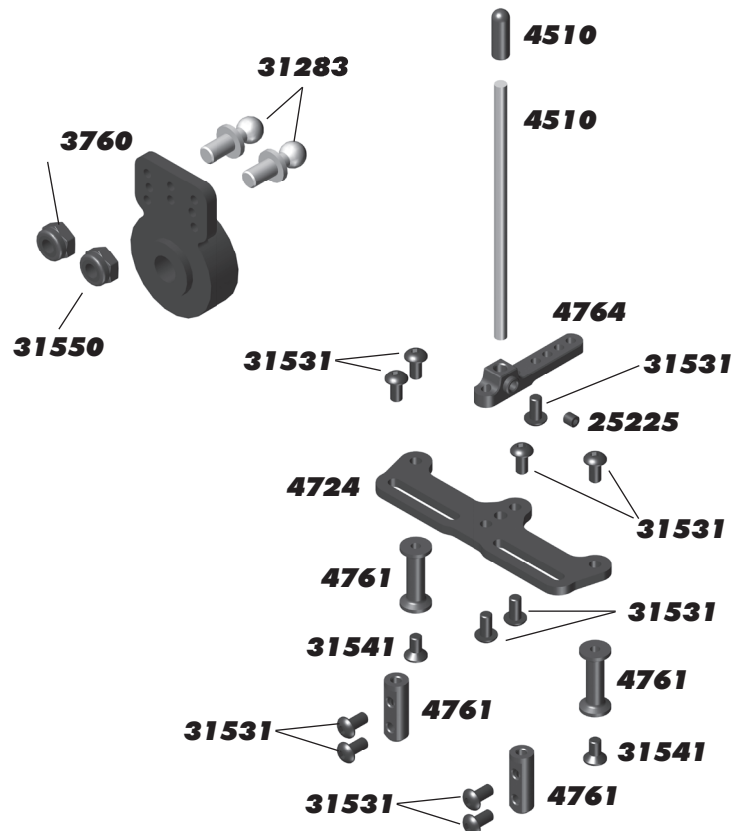
:: Turnbuckles

4404	3x45mm Turnbuckle	2
31305	Turnbuckle Eyelets	14



:: Servo Saver / Mount

3760	Servo Saver, Airtronics - KIT	1
3761	Servo Saver, Futaba	1
4510	Antenna Rod, fiberglass, with end cap	1
4761	RC12R6 Servo Mount Set	1
4764	RC12R6 Shock Mount	1
25225	3x3 mm, Set Screws	10
31283	Ballstuds, 5mm, Long	10
31531	3x6mm BHCS	10
31541	3x6mm FHCS	10
31550	FT M3 Locknut (Blue)	6



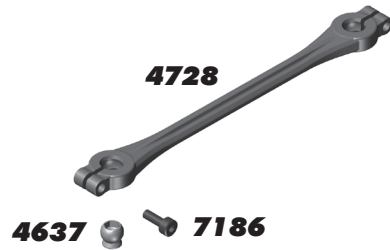
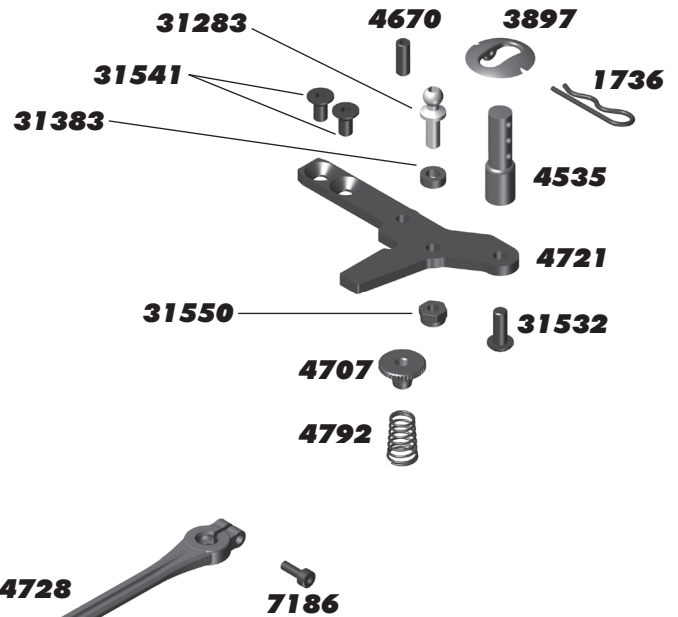
:: Shock Fluid

5420	10 Weight Silicone Shock Fluid	2oz.
5427	15 Weight Silicone Shock Fluid	2oz.
5421	20 Weight Silicone Shock Fluid	2oz.
5424	22.5 Weight Silicone Shock Fluid	2oz.
5428	25 Weight Silicone Shock Fluid	2oz.
5426	27.5 Weight Silicone Shock Fluid	2oz.
5422	30 Weight Silicone Shock Fluid	2oz.
5432	32.5 Weight Silicone Shock Fluid	2oz.
5429	35 Weight Silicone Shock Fluid	2oz.
5433	37.5 Weight Silicone Shock Fluid	2oz.
5423	40 Weight Silicone Shock Fluid	2oz.
5434	42.5 Weight Silicone Shock Fluid	2oz.
5430	45 Weight Silicone Shock Fluid	2oz.
5438	47.5 Weight Silicone Shock Fluid	2oz.
5435	50 Weight Silicone Shock Fluid	2oz.
5431	55 Weight Silicone Shock Fluid	2oz.
5436	60 Weight Silicone Shock Fluid	2oz.
5437	70 Weight Silicone Shock Fluid	2oz.
5425	80 Weight Silicone Shock Fluid	2oz.



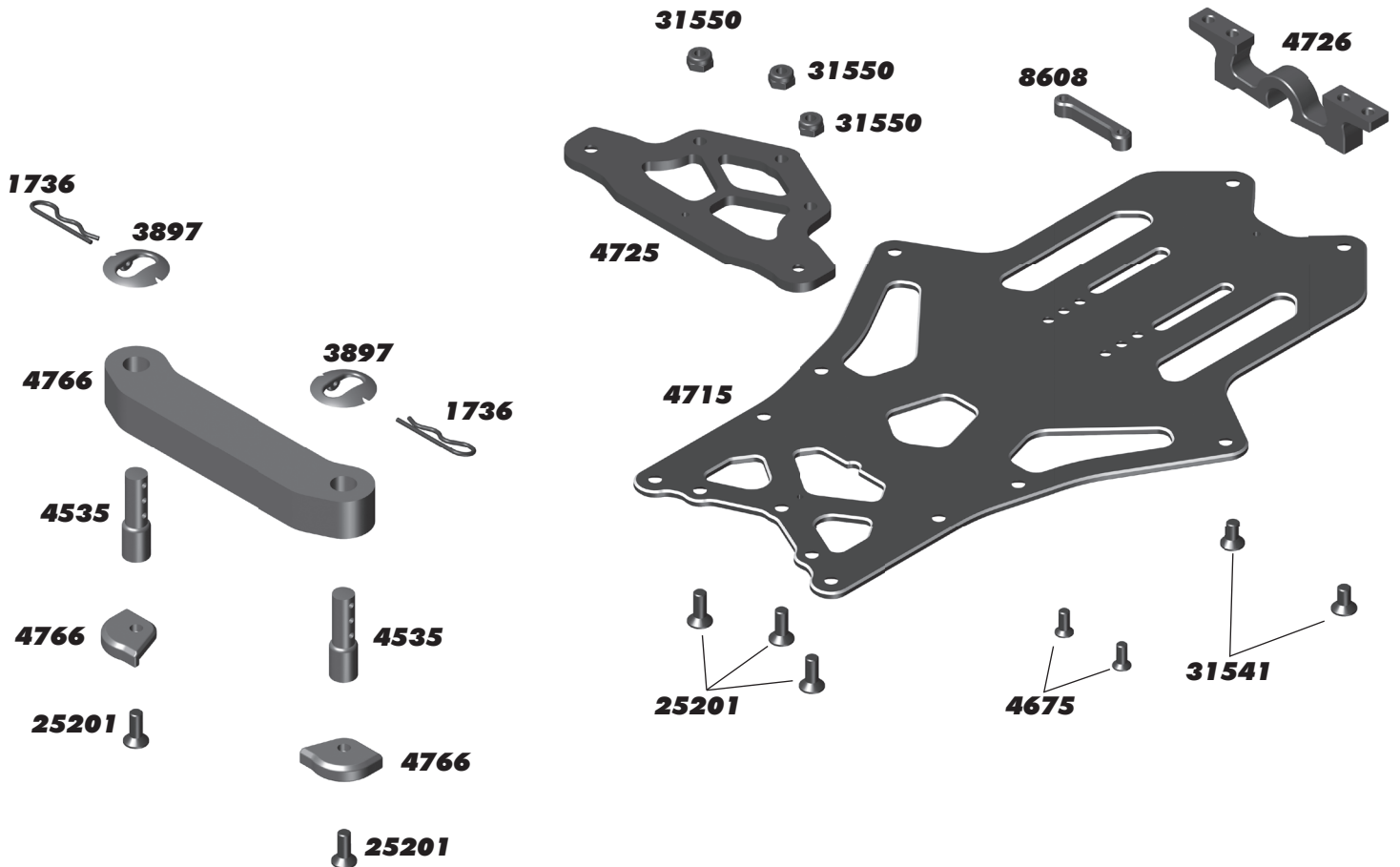
:: Chassis

1736	FT Body Clips, Metallic Blue, Short	6
3897	Pivoting Body Mounts	4
4535	Front and Rear Body Mounts	2
4637	FT Pivot Balls	8
4670	3x8mm Set Screws	10
4675	2.5x6mm FHCS	10
4707	Side Spring Retainers	2
4715	RC12R6 Chassis, Aluminum	1
4721	RC12R6 Chassis Brace Set	1
4725	RC12R6 Bumper Brace	1
4726	Pivot Brace	1
4728	Rear Pod Link	2
4766	RC12R6 Bumper Set	1
7186	2x6mm SHCS	10
8608	Battery Retainer	2
25201	3x8mm FHCS	20
31283	5mm Ballstuds, Long	10
31381	Aluminum Ballstud Washer, 5.5x0.5mm	10
31382	Aluminum Ballstud Washer, 5.5x1.0mm	10
31383	Aluminum Ballstud Washer, 5.5x2.0mm	10
31384	Aluminum Bulkhead Shims, 0.5mm	10
31385	Aluminum Bulkhead Shims, 1.0mm	10
31386	Aluminum Bulkhead Shims, 2.5mm	10
31532	3x8mm BHCS	10
31541	3x6mm FHCS	10
31550	FT M3 Locknut, (Blue)	6



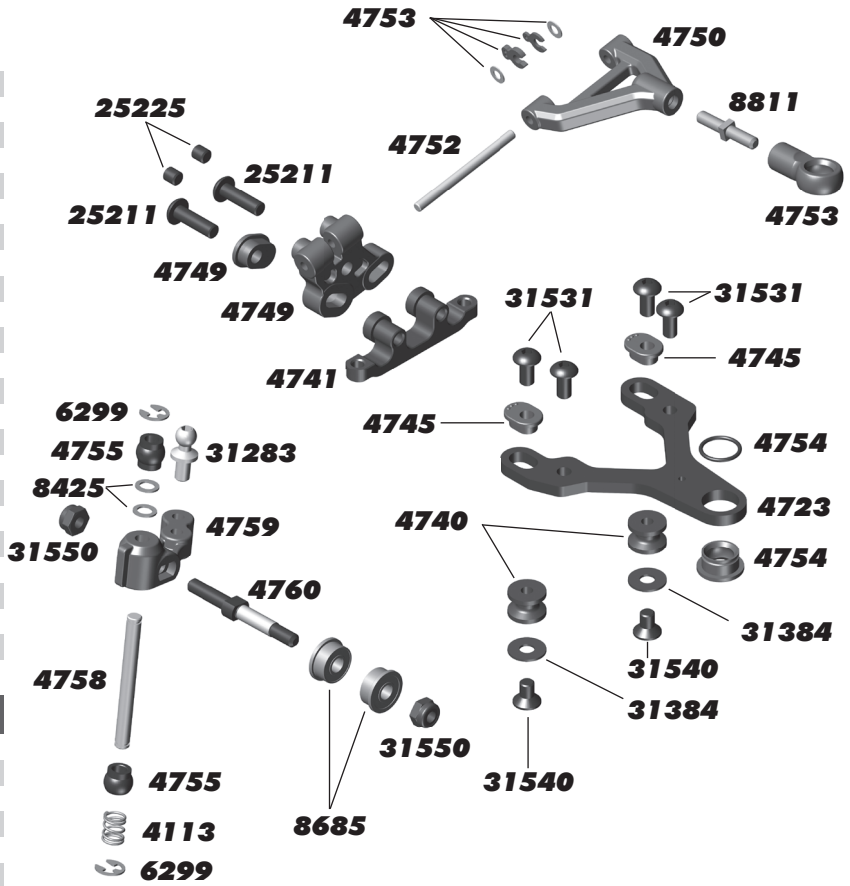
:: Side Springs

4790	Side Spring, 3.9lb/in - Black	2
4791	Side Spring, 4.2lb/in - Green	2
4792	Side Spring, 4.7lb/in - White - Kit	2
4793	Side Spring, 5.2lb/in - Gray	2
4794	Side Spring, 5.8lb/in - Blue	2



:: Front Suspension

4723	RC12R6 Lower Suspension Arms	2
4740	RC12R6 Suspension Arm Standoff	4
4741	RC12R6 Front Bulkhead	2
4745	RC12R6 Track Width Bushings	4 ea.
4749	RC12R6 Upper Arm Mounts & Inserts	2 ea.
4750	RC12R6 Upper Suspension Arms	2
4752	RC12R6 Hinge Pins	2
4753	RC12R6 Arm Eyelet and Caster Clips Set	1
4754	Suspension Arm Pivot Ball Bushing	8
4755	Suspension Arm Pivot Ball Set	1
4758	RC12R6 Kingpin, 3x27.5mm	2
4759	RC12R6 Steering Blocks	Pr.
4760	RC12R6 Front Axle	2
6299	E-Clip	16
8425	Kingpin Shims	10
8685	FT Flanged Bearings, .125" x .313" x .141"	4
8811	Turnbuckles, 3x16mm - Steel	2
25211	3x10mm BHCS	10
25225	3x3mm Set Screw	10
31283	Ballstuds, 5mm, Long	10
31384	Aluminum Bulkhead Shims, 0.5mm	10
31385	Aluminum Bulkhead Shims, 1.0mm	10
31386	Aluminum Bulkhead Shims, 2.0mm	10
31531	3x6mm BHCS	10
31540	3x5mm FHCS	10
31550	FT M3 Locknut, (Blue)	6

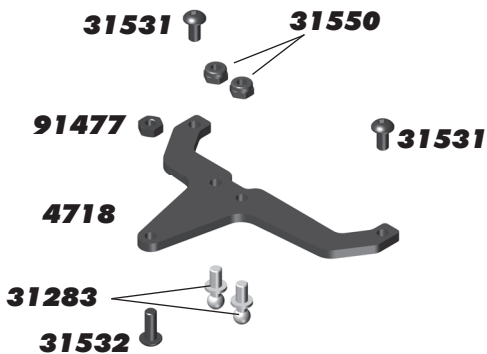
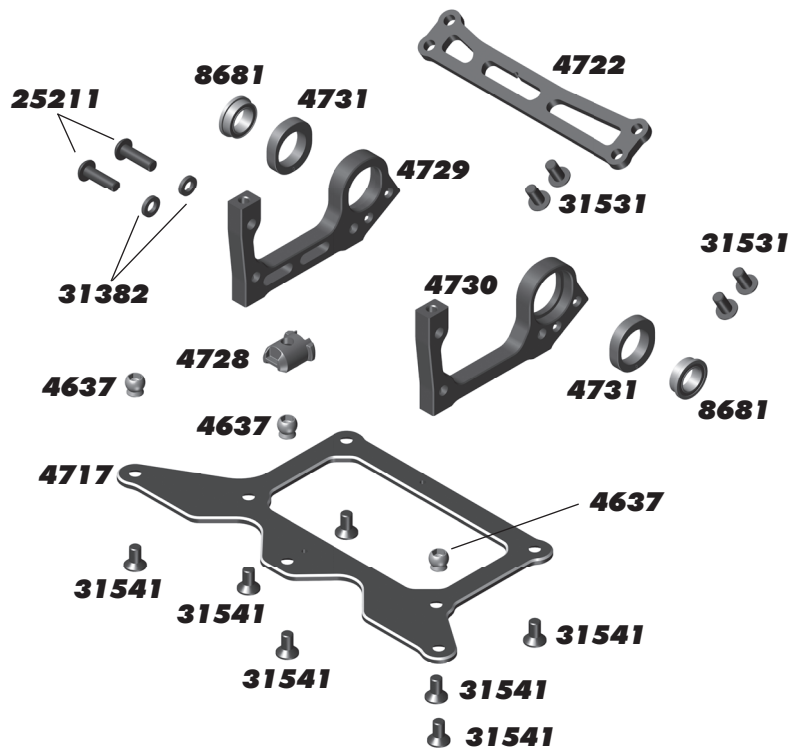


:: Kingpin Springs

4113	Kingpin Springs (.020) - Kit	2
4114	Kingpin Springs (.018)	2
4116	Kingpin Springs (.024)	2
4117	Kingpin Springs (.022)	2
4118	Kingpin Springs (.014)	2
4119	Kingpin Springs (.016)	2

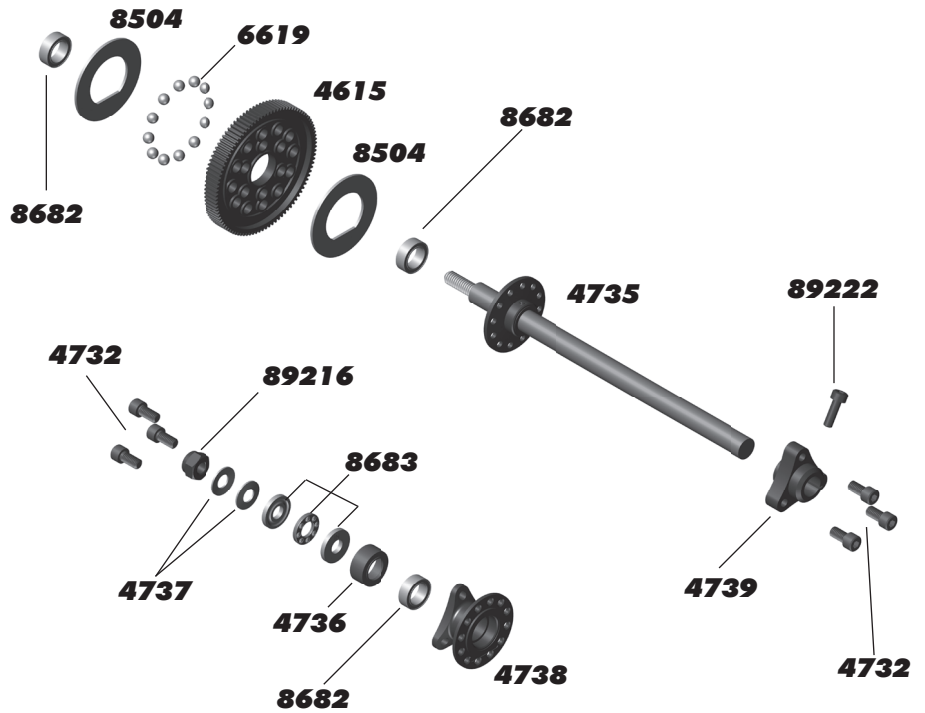
:: Rear Pod

4637	FT Pivot Balls	8
4717	RC12R6 Lower Pod Plate, Aluminum	1
4718	RC12R6 Upper Pod Plate	1
4722	RC12R6 Motor Mount Brace	1
4728	Pivot Brace Slider	1
4729	RC12R6 Motor Mount	1
4730	RC12R6 LR Bulkhead	1
4731	Rear Axle Height Adjusters, Set	2ea.
8681	FT Flanged Bearings .250" x .375" x .125"	4
25211	3x10mm BHCS	10
31283	Ballstuds, 5mm, Long	10
31381	Aluminum Ballstud Washer, 5.5x0.5mm	10
31382	Aluminum Ballstud Washer, 5.5x1.0mm	10
31383	Aluminum Ballstud Washer, 5.5x2.0mm	10
31531	3x6mm BHCS	10
31532	3x8mm BHCS	10
31541	3x6mm FHCS	10
31550	FT M3 Locknut, (Blue)	6
91477	M3 Nut (Black)	6



:: Rear Axle

4615	Spur Gear 96T, 64P- Kit	1
4616	Spur Gear 88T, 64P	1
4462	Spur Gear 100T, 64P	1
4732	RC12R6 Rear Hub Screw	10
4735	Rear Axle	1
4736	Diff Thrust Cone	1
4737	Bellville Washer	4
4738	RC12R6 Wheel Hub, Right	1
4739	RC12R6 Wheel Hub, Left	1
6619	FT Carbide Diff Balls, 1/8 in	8
8504	D-Drive Rings, for Axle	2
8682	FT Ball Bearing, .250x.375x.125 in	3
8683	FT Thrust Bearing, 4x10mm	1
89216	M4 Locknut, Black	10
89222	2.5x8mm SHCS	10



:: Factory Team and Option Parts

4713	RC12R6 Chassis, Graphite	1
4716	RC12R6 Lower Pod Plate, Graphite	1
4734	RC12R6 Rear Axle Shims (0.5mm, 1.0mm, 2.0mm)	2 ea.
4742	RC12R6 Front Ride Height Shims, Steel	4
4743	RC12R6 Front Ride Height Shims, Graphite	2 ea.
4744	RC12R6 Front Brace Kit	1
4746	RC12R6 Track Width Bushings, Aluminum	4 ea.
4799	RC12R6 Decal Sheet	1
8681	FT Flanged Bearings, .250" x .375" x .125"	4
8682	FT Bearings, .250" x .375" x .125"	3
8683	FT Thrust Bearing, 4x10mm	1
8685	FT Flanged Bearings, .125" x .313" x .141"	4

:: Lubes & Adhesives / Misc.

1105	FT Green Slime Shock Lube	1
1596	FT Locking Adhesive	1
1597	FT Tire Adhesive	1
5450	Silicone Diff Fluid 1,000CST	1
5451	Silicone Diff Fluid 2,000CST	1
5452	Silicone Diff Fluid 3,000CST	1
5444	Silicone Diff Fluid 4,000CST	1
5453	Silicone Diff Fluid 5,000CST	1
5446	Silicone Diff Fluid 6,000CST	1
5447	Silicone Diff Fluid 15,000CST	1
5454	Silicone Diff Fluid 7,000CST	1
5455	Silicone Diff Fluid 10,000CST	1
5456	Silicone Diff Fluid 20,000CST	1
5457	Silicone Diff Fluid 30,000CST	1
5458	Silicone Diff Fluid 60,000CST	1
5448	Silicone Diff Fluid 80,000CST	1
5459	Silicone Diff Fluid 100,000CST	1
5461	Silicone Diff Fluid 200,000CST	1
5463	Silicone Diff Fluid 500,000CST	1
5465	Silicone Diff Fluid 1,000,000CST	1
6588	Black Grease - 4cc	1
6591	S.Diff Lube - 4cc	1
6636	Silicone Grease - 4cc	1
6727	Servo Tape	2



1596

:: Reedy Electronics

252C	Blackbox 800Z/540-M3 25.5 Combo	1
253C	Blackbox 800Z/540-M3 21.5 Combo	1
254C	Blackbox 800Z/540-M3 17.5 Combo	1
255C	Blackbox 800Z/540-M3 15.5 Combo	1
256C	Blackbox 1000Z+/540-M3 10.5 Combo	1
258C	Blackbox 1000Z+/540-M3 8.5 Combo	1
259C	Blackbox 1000Z+/540-M3 8.0 Combo	1
260C	Blackbox 1000Z+/540-M3 7.5 Combo	1
261C	Blackbox 1000Z+/540-M3 7.0 Combo	1
262C	Blackbox 1000Z+/540-M3 6.5 Combo	1
269C	Blackbox 800Z/540-M3 17.5 SS Combo	1
270C	Blackbox 800Z/540-M3 13.5 SS Combo	1
284C	Blackbox 800Z/540-M3 21.5 SS Combo	1
285C	Blackbox 800Z/540-M3 10.5 SS Combo	1
287C	Blackbox 800Z/540-M3 25.5 ROAR Combo	1
27002	Blackbox 800Z 2S Zero-Timing Competition ESC	1
27003	Blackbox 1000Z+ 2S Competition ESC	1
27004	Blackbox 510R Competition ESC	1
27005	Blackbox 510R Competition ESC w/PROgrammer2	1
27024	Blackbox Pro Capacitor Unit	1
27026	Blackbox 1000Z+ Fan w/Screws	1
27027	Blackbox PROgrammer2	1
27028	Blackbox 30x30x7mm Fan w/screws	1
27029	Blackbox Pro Modified Capacitor Unit	1
27030	Blackbox ESC/Programmer2 Connection Wire	1
27108	RS0806 Digital HV Hi-Speed LP Competition Servo	1
27109	RT1408 Digital HV Hi-Speed LP Competition Servo	1
27124	RS0806 LP Case Set	1
27125	RS0806 LP Gear Set	1
27126	RT1408 LP Case Set	1
27127	RT1408 LP Gear Set	1
29193	SC550 Brushed ESC	1
29194	SC550 Bridge Plug	1

:: Reedy Motors

252	Sonic 540-M3 25.5	1
253	Sonic 540-M3 21.5	1
254	Sonic 540-M3 17.5	1
255	Sonic 540-M3 13.5	1
256	Sonic 540-M3 10.5	1
257	Sonic 540-M3 9.5	1
258	Sonic 540-M3 8.5	1
259	Sonic 540-M3 8.0	1
260	Sonic 540-M3 7.5	1
261	Sonic 540-M3 7.0	1
262	Sonic 540-M3 6.5	1
263	Sonic 540-M3 6.0	1
264	Sonic 540-M3 5.5	1
265	Sonic 540-M3 5.0	1
266	Sonic 540-M3 4.5	1
267	Sonic 540-M3 4.0	1
268	Sonic 540-M3 3.5	1
269	Sonic 540-M3 SS 17.5 1S	1
270	Sonic 540-M3 SS 13.5 1S	1
284	Sonic 540-M3 SS 21.5 1S	1
285	Sonic 540-M3 SS 10.5 1S	1
271	Sonic 540-M3 Spec Rotor 12.0 x 7.25 x 25.3	1
272	Sonic 540-M3 Spec Rotor 12.2 x 7.25 x 25.3	1
273	Sonic 540-M3 Spec Rotor 12.5 x 7.25 x 25.3	1
274	Sonic 540-M3 Mod Rotor 12.3 x 5.0 x 25.3	1
275	Sonic 540-M3 Mod Rotor 12.5 x 5.0 x 25.3	1
276	Sonic 540-M3 Mod Rotor 13.0 x 5.0 x 25.3	1
277	Sonic 540-M3 Stainless Steel Bearing Set	1
279	Sonic 540-M3 Sensor Assembly	1
280	Sonic 540-M3 Rotor Spacer Set	1
281	Sonic 540-M3 Case Screws w/Insulator	1
282	Sonic 540-M3 Motor Mounting Plate SS	1
283	Sonic 540-M3 Motor Mounting Plate	1
286	Sonic 540-M3 Spec Rotor 12.3 x 7.25 x 25.3	1
287	Sonic 540-M3 25.5 ROAR Spec	1

:: Reedy Batteries and Chargers

302	AA Alkaline 1.5V (4)	1
304	LiPo Pro TX/RX Battery 1600mAh 7.4V Flat	1
305	LiFe Pro TX/RX Battery 1300mAh 6.6V Flat	1
315	LiPo Pro TX/RX Battery 2100mAh 7.4V Flat	1
319	LiPo 70C 3900mAh 7.4V LP Shorty	1
320	LiPo 8000mAh 70C 3.7V Comp. Battery	1
323	LiPo 50C 3400mAh 7.4V LP Shorty	1
607	Charge Harness 2S Standard Pack 4mm	1
611	Charge Harness 2S Standard Pack 5mm	1
637	LiPo TX Battery - M11X 2500mAh 7.4V	1
738	Wolfpack LiPo 3800mAh 7.4V 25C Shorty	1
996	5.0mm 1S-2S Balance Charge lead w/SP Clip	1
997	4.0mm 1S-2S Balance Charge lead w/SP Clip	1
27200	1216-C2 Dual AC/DC Comp. Battery Charger	1
27200CN	1216-C2 Dual AC/DC Comp. Battery Charger - CHN Plug	1
27200EU	1216-C2 Dual AC/DC Comp. Battery Charger - EURO Plug	1
27200UK	1216-C2 Dual AC/DC Comp. Battery Charger - UK Plug	1
27220	7-in-1 Universal Charge Lead (4mm)	1
27222	XH 2-6S Balance Board (4mm)	1
27223	RX Charger Lead FUT (4mm)	1
27224	US to IEC 320 C5 angle 1M AC Power Cord	1
27225	US to IEC 320 C5 angle .5M AC Power Cord	1
27226	EU to IEC 320 C5 angle 1M AC Power Cord	1
27227	UK to IEC 320 C5 angle 1M AC Power Cord	1
27228	AU to IEC 320 C5 angle 1M AC Power Cord	1
27229	CN to IEC 320 C5 angle 1M AC Power Cord	1
27305	Zappers LiPo 100C 4800mAh 7.6V 210g	1
27306	Zappers LiPo 100C 4400mAh 7.4V 210g	1
27307	Zappers LiPo 70C 5800mAh 7.6V 225g	1
27308	Zappers LiPo 70C 5400mAh 7.4V 225g	1
27310	Zappers LiPo 100C 3600mAh 7.6V LP Shorty 150g	1
27311	Zappers LiPo 8000mAh 100C 3.8V	1

:: Reedy Accessories

643	Low Profile Bullet Plug 4mm x 14mm (2)	1
644	Low Profile Bullet Plug 4mm x 14mm (10)	1
645	Low Profile Bullet Plug 5mm x 14mm (2)	1
646	Low Profile Bullet Plug 5mm x 14mm (10)	1
647	Silicone Wire 12AWG-Black (1m)	1
648	Silicone Wire 14AWG-Black (1m)	1
649	Silicone Wire 16AWG-Black (1m)	1
650	Shrink Tubing - 15pcs 4.5mm x 20mm	1
747	Silicone Wire 12AWG-Black (30m)	1
748	Silicone Wire 14AWG-Black (30m)	1
749	Silicone Wire 16AWG-Black (30m)	1
790	Silicone Wire 13AWG-Black (1m)	1
791	Silicone Wire 13AWG-Black (30m)	1
792	Low Profile Caged Bullet Plug 4mm x 14mm (2)	1
793	Low Profile Caged Bullet Plug 4mm x 14mm (10)	1
794	Low Profile Caged Bullet Plug 5mm x 14mm (2)	1
795	Low Profile Caged Bullet Plug 5mm x 14mm (10)	1
978	Flat Sensor Wire 70mm	1
979	Flat Sensor Wire 110mm	1
980	Flat Sensor Wire 150mm	1
981	Flat Sensor Wire 200mm	1
982	Flat Sensor Wire 270mm	1
994	Flat Sensor Wire 125mm	1
995	Flat Sensor Wire 175mm	1

:: Tools

1111	FT Turnbuckle Wrench	1
1112	FT 4mm Turnbuckle Wrench	1
1113	12mm Big Bore Shock Tool	1
1114	FT Dual Turnbuckle Wrench	1
1450	On Road Ride Height Gauge	1
1452	FT TC Ride Height Gauge	1
1518	FT Hex Driver Tool Set, 3pc.	1
1519	FT Hex/Nut Driver Tool Set, 5pc.	1
1541	FT Hex Driver Set, (7 pcs)	1
1545	FT 5/64" Blue Hex Driver	1
1546	FT 3/32" Gold Hex Driver	1
1568	FT 5.5mm Short Nut Driver	1
1569	FT 7mm Nut Driver, T-Handle	1
1570	FT 5.5mm Short Nut Driver	1
1590	FT 3/32" Gold Ball Hex Driver	1
1592	FT Ball Hex Driver Set, (3 pcs)	1
1655	FT 8-Piece 1/4" Hex Drive Set	1
1656	FT 1/4" Hex Drive Handle, without tips	1
1657	FT 1/4" Hex Drive .050" Tip	1
1658	FT 1/4" Hex Drive 1/16" Tip	1
1659	FT 1/4" Hex Drive 5/64" - 2.0mm Tip	1
1660	FT 1/4" Hex Drive 3/32" Tip	1
1661	FT 1/4" Hex Drive 1.5mm Tip	1
1662	FT 1/4" Hex Drive 2.5mm Tip	1
1663	FT 1/4" Hex Drive 3/16" Nut Driver Tip	1
1664	FT 1/4" Hex Drive 1/4" Nut Driver Tip	1
1665	FT 1/4" Hex Drive 11/32" Nut Driver Tip	1
1666	FT 1/4" Hex Drive 5.5mm Nut Driver Tip	1
1667	FT 1/4" Hex Drive 7.0mm Nut Driver Tip	1
1668	FT 1/4" Hex Drive 8.0mm Nut Driver Tip	1
1669	FT 1/4" Hex Drive 5/64" - 2.0mm Ball End Tip	1
1670	FT 1/4" Hex Drive 3/32" Ball End Tip	1
1671	FT 1/4" Hex Drive Standard Screwdriver Tip	1
1672	FT 1/4" Hex Drive Phillips Screwdriver Tip	1
1673	FT 1/4" Hex Drive 2.5mm Ball End Tip	1
1674	FT 1/4" 5 Piece Power Tool Tips Set (5/64-2.0mm, 1.5mm, 2.5mm, 5/64"- 2.0mm ball, 2.5mm ball)	1
1675	FT Shock Shaft Pliers	1
1679	FT T-Handle Ratchet Driver	1
1719	FT Camber + Track Width Tool	1
1737	FT Body Scissors	1
3718	12 Inch Nylon Wire Ties	12
3719	6 Inch Nylon Wire Ties	12
3720	8 Inch Nylon Wire Ties	12
3987	FT Droop Gauge	1
6429	Shock Building Tool	1
6956	Molded Tools, Set	1
7709	4 Inch Nylon Wire Ties	12

:: Apparel / Promotional

SP10*	2016 Worlds Hoodie, Black (S, M, L, XL-3XL)	1
SP11*	2016 Worlds T-shirt, blue, (S, M, L, XL-5XL)	1
SP12*	2016 Worlds T-shirt, black, (S, M, L, XL-5XL)	1
SP13**	AE Lite Jacket - Black - (S, M, L, XL, 2XL)	1
SP14**	AE 2015 Worlds T-Shirt - Blue (S, M, L, XL-5XL)	1
SP15**	AE 2015 Worlds T-Shirt - Black (S, M, L, XL-5XL)	1
SP16*	2015 Worlds Hoodie, Black (S, M, L, XL -5XL)	1
SP17**	AE INT'L T-Shirt - Black (S, M, L, XL-5XL)	1
SP18**	AE INT'L T-Shirt - White (S, M, L, XL-5XL)	1
SP19**	AE INT'L Hoodie - Black (S, M, L, XL-3XL)	1
SP20	AE Patch Trucker Hat	1
SP24**	AE Splash T-shirt - Blue (S, L, XL-5XL)	1
SP29	Team Associated Countertop / Setup Mat	1
SP30	Team Associated Pit Mat	1
SP31	Reedy Countertop / Setup Mat	1
SP38	Reedy Trucker Hat	1
SP71**	AE Winter Jacket - Black (M, XL, 2XL)	1
SP110*	Reedy R-Powered T-Shirt - Black (S, M, L, XL-3XL)	1
SP111*	Reedy W15 Sweatshirt - Black (M, L, 2XL, 3XL)	1
SP112*	Reedy Medallion T-Shirt - Black (S, M, L, XL-3XL)	1
SP113*	AE Worlds Car Retro T-Shirt, (S, M, L, XL-3XL)	1
SP114*	Circuit T-Shirt - Black (S, M, L, XL-3XL)	1
SP421S	AE 2012 Hat, Black, Flat Bill, S/M	1
SP421L	AE 2012 Hat, Black, Flat Bill, L/XL	1
SP422S	AE 2012 Hat, Black, Curved Bill, S/M	1
SP422L	AE 2012 Hat, Black, Curved Bill, L/XL	1
SP423S	AE 2012 Hat, White, Flat Bill, S/M	1
SP423L	AE 2012 Hat, White, Flat Bill, L/XL	1
SP424S	AE 2012 Hat, White, Curved Bill, S/M	1
SP424L	AE 2012 Hat, White, Curved Bill, L/XL	1
SP425	FT Fluid Carrier	1
726	Reedy 2016 Sticker Sheet	1
3840	2016 Team Associated Decal Sheet	1
110684	Team Associated Track Banner (Black)	1
110685	Team Associated Cloth Banner	1
SP115	Reedy Circuit Cloth Banner	1

** Use part number plus the desired size when ordering!

Associated Electrics, Inc.
 26021 Commercentre Drive
 Lake Forest, CA 92630-8853 USA
<http://www.RC10.com>
http://twitter.com/Team_Associated
<https://www.instagram.com/teamassociatedrc/>
<http://www.facebook.com/TeamAssociated/>
 call: (949) 544-7500
 fax: (949) 544-7501

Track Info:

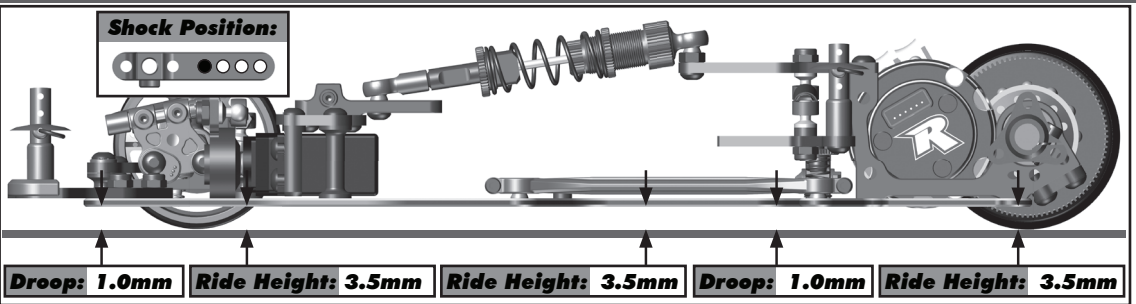
Size: Small Medium
 Large X-Large

Surface: Carpet Asphalt
 Indoor Outdoor

Traction: Low Medium
 High Wet

Condition: Bumpy Smooth

Temperature: Ambient _____ Track _____



Vehicle Info:

Body: _____

Weight: _____

Notes: _____

Shock:

Piston: 1 x 1.0

Fluid: 30 Wt

Spring: 11.8 lb/in (Gray)

Rebound: 0

Pre Load: 3.2mm

Caster: 0mm 2°
 0.55mm 4°
 1.10mm 6°
 1.65mm 8°

Caster Shims: 2° (0.55mm)
 4° (1.10mm)

Shim: 0

Track Width Inserts: Composite
 Aluminum
 0mm
 +0.5mm
 +1mm
 +1.5mm
 +2mm

Dynamic Strut: 0°
 2.5°
 5°
 7.5°
 10°

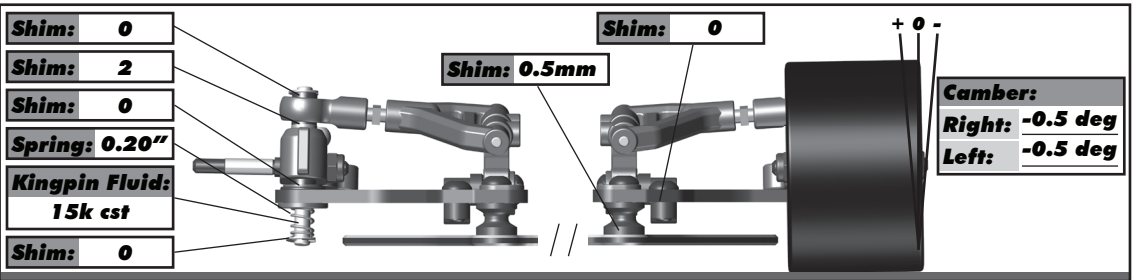
Front Wheelbase: Std
 +2mm

Free Length: 80.2mm

Notes: _____

Diff Setting:

Loose Medium Tight



Electronics:

Radio: _____

Servo: _____

EPA: Throttle: _____ % Brake: _____ %

ESC: _____

ESC Settings: _____

Motor: _____

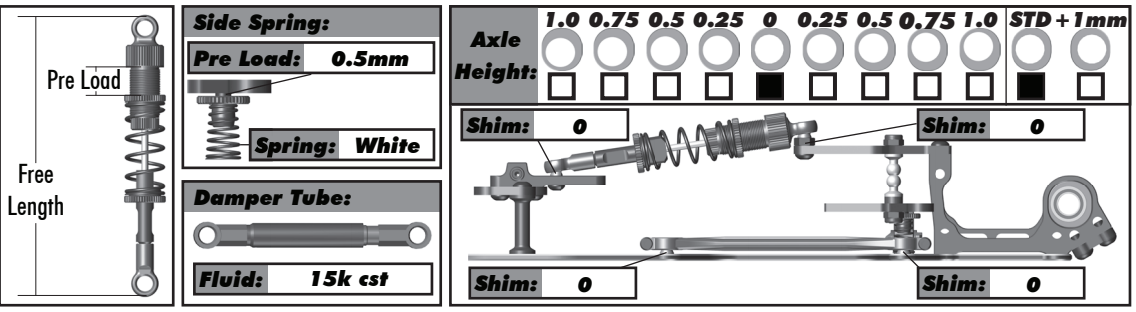
Timing: _____

Pinion: _____ **Spur:** _____

Rollout: _____

Battery: _____

Notes: _____



Tires:

Front Tires: _____

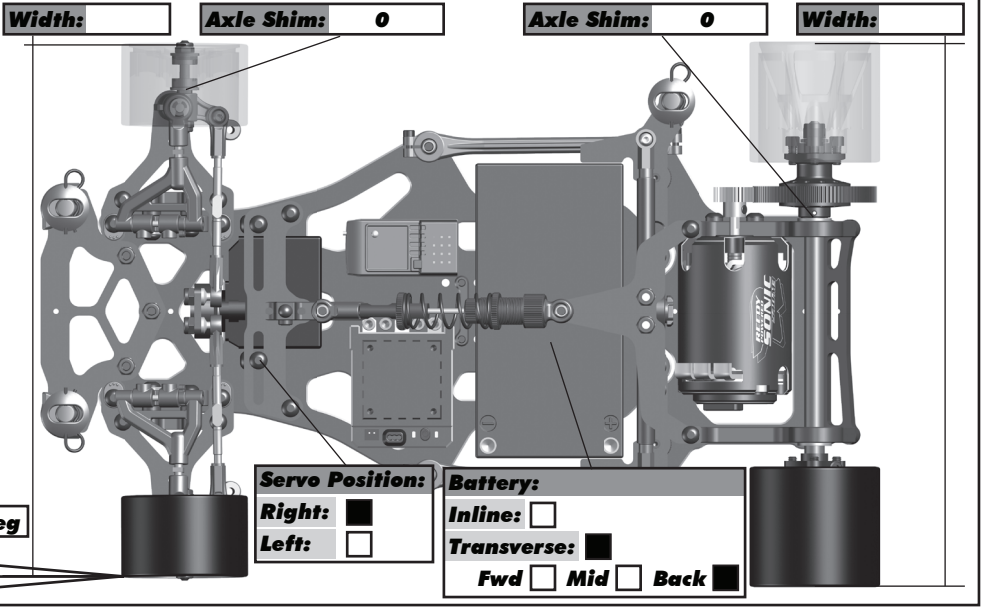
Front Tire Dia: _____

Rear Tire: _____

Rear Tire Dia: _____

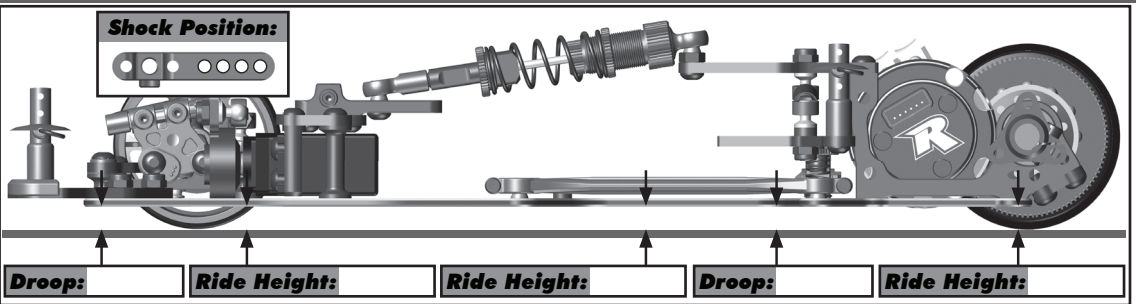
Notes: _____

Front Tire Additive:	Left	Right
Additive Time:		
Rear Tire Additive:		
Additive Time:		



Track Info:

Size: Small Medium
 Large X-Large
Surface: Carpet Asphalt
 Indoor Outdoor
Traction: Low Medium
 High Wet
Condition: Bumpy Smooth
Temperature: Ambient _____ Track _____



Vehicle Info:

Body: _____
Weight: _____
Notes: _____
Shock: _____
Piston: _____
Fluid: _____
Spring: _____
Rebound: _____
Pre Load: _____

Caster: 0mm 2°
 0.55mm 4°
 1.10mm 6°
 1.65mm 8°
Dynamic Strut: 0°
 2.5°
 5°
 7.5°
 10°

Caster Shims: 2° (0.55mm)
 4° (1.10mm)

Shim: _____
Track Width Inserts: Composite
 Aluminum
 0mm
 +0.5mm
 +1mm
 +1.5mm
 +2mm

Front Wheelbase: Std
 +2mm

Free Length:

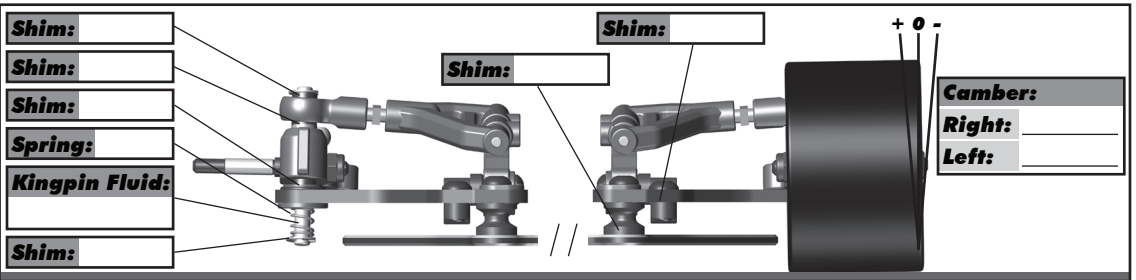
Notes: _____

Diff Setting:

Loose Medium Tight

Electronics:

Radio: _____
Servo: _____
EPA: Throttle: _____ % Brake: _____ %
ESC: _____
ESC Settings: _____
Motor: _____
Timing: _____
Pinion: _____ **Spur:** _____
Rollout: _____
Battery: _____
Notes: _____



Side Spring: Pre Load: _____
 Spring: _____
Damper Tube: _____
 Fluid: _____

Axle Height: 1.0 0.75 0.5 0.25 0 0.25 0.5 0.75 1.0 STD + 1mm

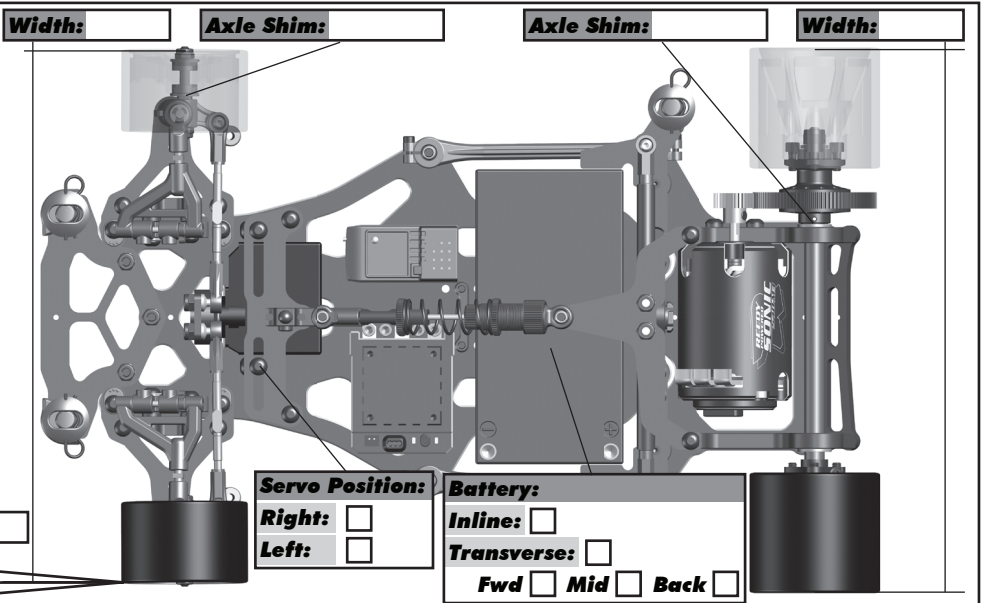
Shim: _____ **Shim:** _____
Shim: _____ **Shim:** _____

Tires:

Front Tires: _____
Front Tire Dia: _____
Rear Tire: _____
Rear Tire Dia: _____
Notes: _____

Front Tire Additive:	Left	Right
Additive Time:		
Rear Tire Additive:		
Additive Time:		

Toe: _____
 - _____
 0 _____
 + _____





**Associated Electrics, Inc.
26021 Commercentre Dr.
Lake Forest, CA 92630 USA**

<http://www.RC10.com>

https://twitter.com/Team_Associated

<https://www.instagram.com/teamassociatedrc/>

<https://www.facebook.com/TeamAssociated/>

call: (949) 544-7500 - fax: (949) 544-7501

**Check out the following web sites for all of our kits,
current products, new releases, setup help, tips, and racing info!
www.TeamAssociated.com - www.RC10.com**